

# Gravity Discharge, 2-Comp. Recirculating Tank (VA)

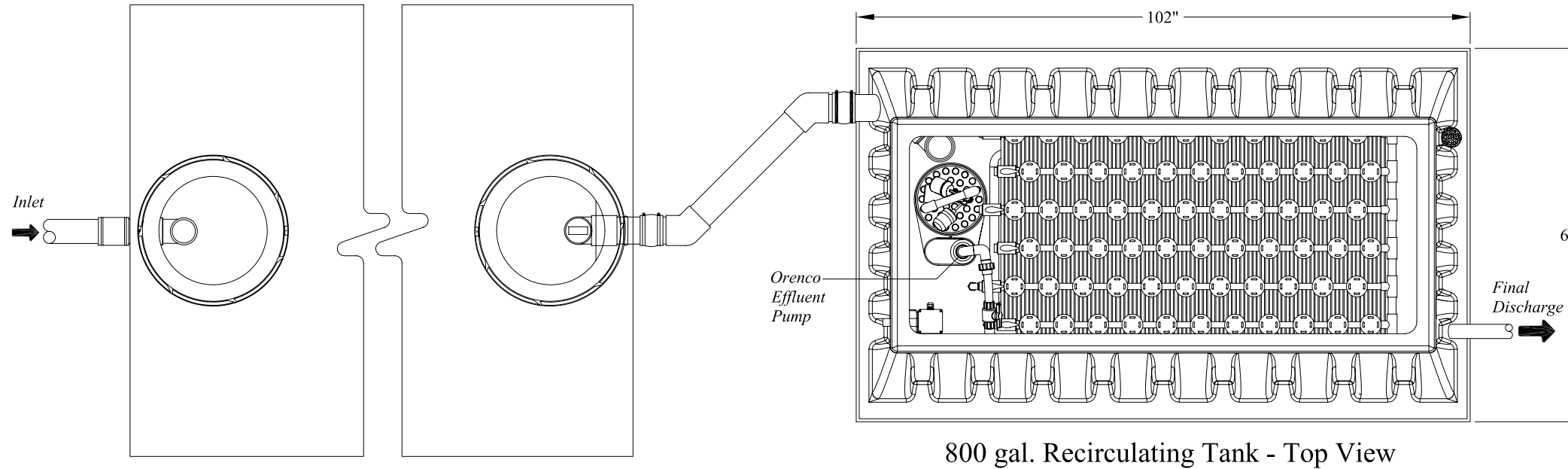
Filter Tank Dry Weight: 860 lbs

## Design and Installation Notes

- For Expected Flows Up To 4 Bedrooms
- Installation To Be Performed By An Orenco Authorized Installer Only
- Start-up To Be Performed By An Orenco Authorized Service Provider

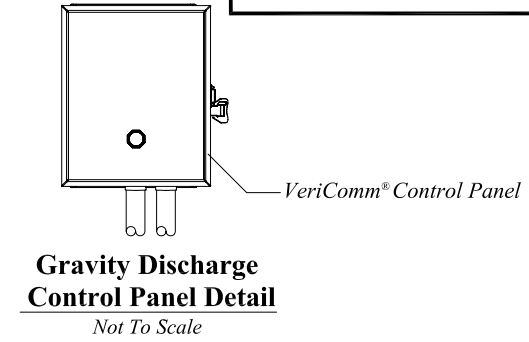


Orenco Systems®  
Incorporated



1000 gal. Primary Tank - Top View

800 gal. Recirculating Tank - Top View

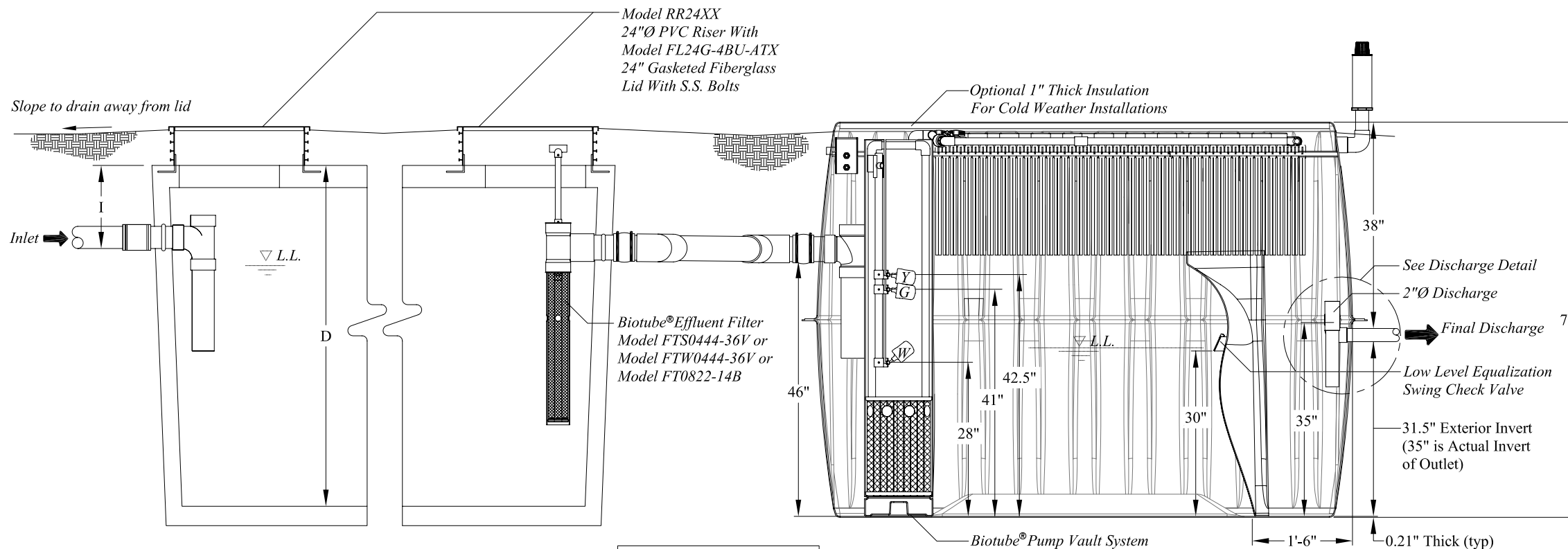


Gravity Discharge Control Panel Detail

Note: Only tanks from the manufacturers listed below shall be used.

Tank Manufacturer	Septic Tank Size	I	D
Orenco Fiberglass Tank	1000 Gal.	11"	65"
C.T. Jamison	1000 Gal.	14"	65"
Hanover Precast	1000 Gal.	16"	66.5"
Rockingham Precast	1000 Gal.	16"	64"
Wrights Ready Mix	1000 Gal.	15"	65"
Beasley Concrete	1000 Gal.	16"	66"

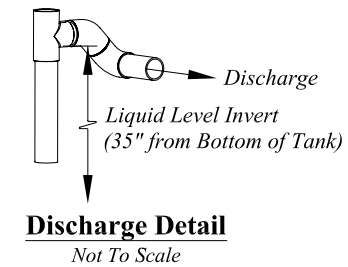
Note: All tanks shall be tested for watertightness. All concrete tanks shall have PRTA24 cast into tank for acceptance of Model RR24XX Riser.



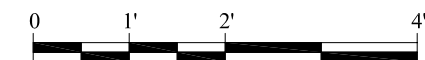
1000 gal. Primary Tank - Side View

800 gal. Recirculating Tank - Side View

Float Functions	
Y	High Level Alarm
G	Override Timer ON/OFF
W	LLA/RO



Discharge Detail



Graphic Scale

Title: AX20RT Mode 1A

Drawn By: BEN SMITH

Designed By: ENGINEERING

U.S. Patents-4,439,323  
5,492,635-6,372,137-5,360,566  
5,980,748-5,531,894- 5,480,561  
Other Patents Pending  
© 2005 Orenco Systems®, Inc

Drawing No. NDW-ATX-RT-VA-1

Drawing: / OF /

Approved By:

Other Patents Pending

Scale: AS SHOWN

Date: 3/10/2010

Revision: A-01

Date Approved:

# Pump Discharge, 2-Comp. Recirculating Tank (VA)

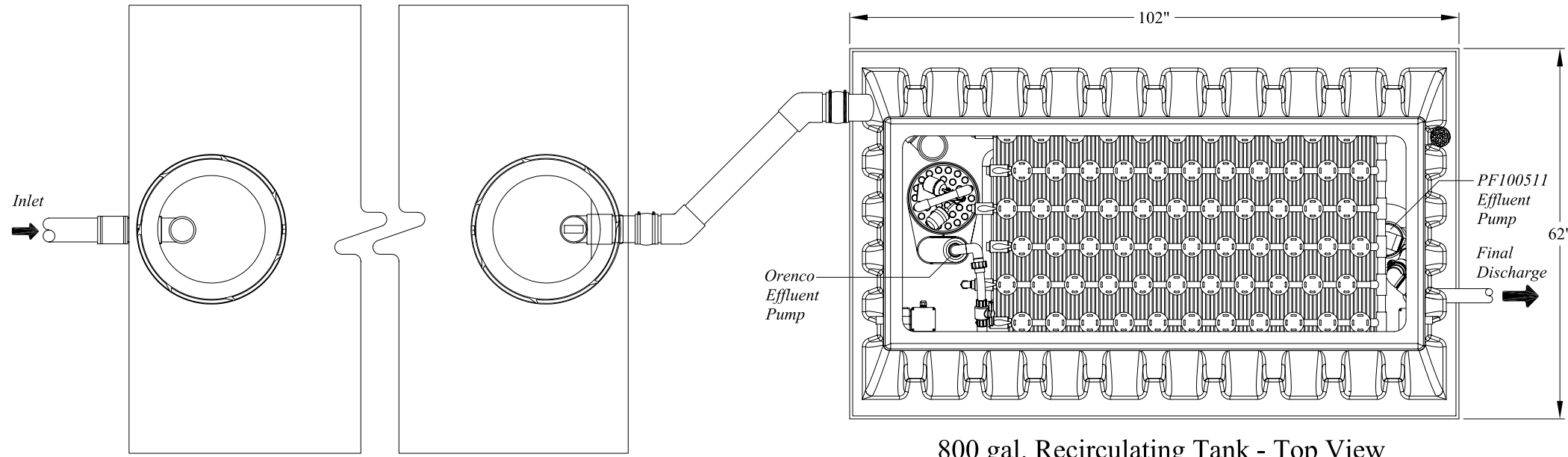
Filter Tank Dry Weight: 900 lbs

## Design and Installation Notes

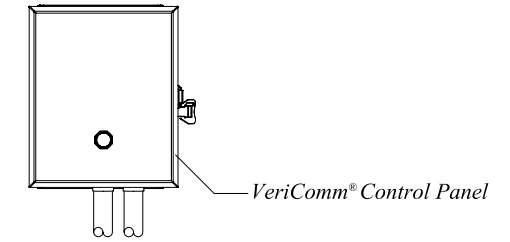
- For Expected Flows Up To 4 Bedrooms
- Installation To Be Performed By An Orenco Authorized Installer Only
- Start-up To Be Performed By An Orenco Authorized Service Provider



Orenco Systems<sup>®</sup>  
Incorporated



800 gal. Recirculating Tank - Top View

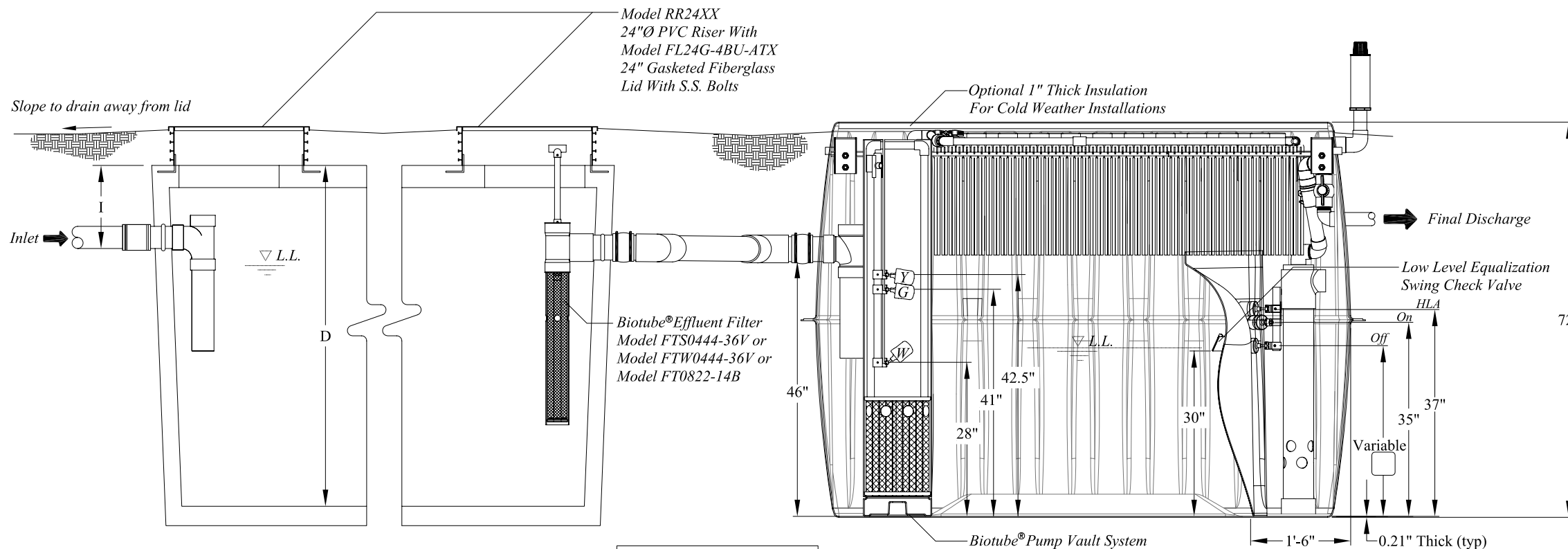


Pump Discharge Control Panel Detail  
Not To Scale

Note: Only tanks from the manufacturers listed below shall be used.

Tank Manufacturer	Septic Tank Size	I	D
Orenco Fiberglass Tank	1000 Gal.	11"	65"
C.T. Jamison	1000 Gal.	14"	65"
Hanover Precast	1000 Gal.	16"	66.5"
Rockingham Precast	1000 Gal.	16"	64"
Wrights Ready Mix	1000 Gal.	15"	65"
Beasley Concrete	1000 Gal.	16"	66"

Note: All tanks shall be tested for watertightness. All concrete tanks shall have PRTA24 cast into tank for acceptance of Model RR24XX Riser.

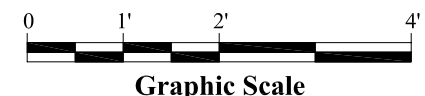


800 gal. Recirculating Tank - Side View

1000 gal. Primary Tank - Top View

1000 gal. Primary Tank - Side View

Float Functions	
Y	High Level Alarm
G	Override Timer ON/OFF
W	LLA/RO



Title: AX20RT Mode 1B

Drawn By: BEN SMITH

Designed By: ENGINEERING

Drawing No. NDW-ATX-RT-VA-2

Drawing: / OF /

Approved By:

Date: 3/10/2010

Revision: A-01

Date Approved:

U.S. Patents-4,439,323  
5,492,635-6,372,137-5,360,566  
5,980,748-5,531,894- 5,480,561  
Other Patents Pending  
© 2005 Orenco Systems®, Inc

# Pump Basin Discharge, 2-Comp. Recirculating Tank with Discharge Pump in External Basin (VA)

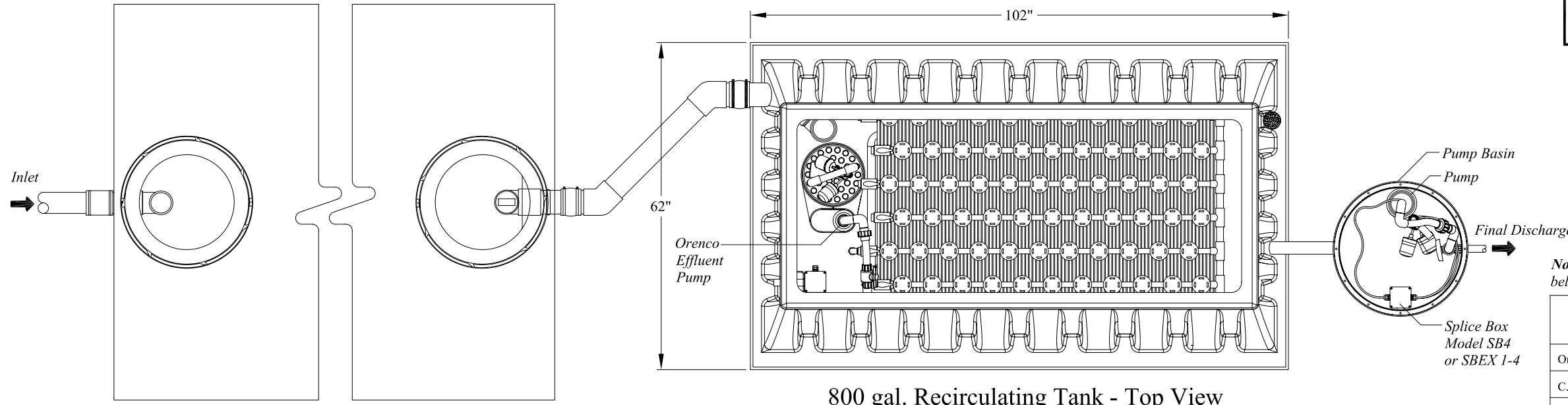
Filter Tank Dry Weight: 860 lbs

## Design and Installation Notes

- For Expected Flows Up To 4 Bedrooms
- Installation To Be Performed By An Orenco Authorized Installer Only
- Start-up To Be Performed By An Orenco Authorized Service Provider



Orenco Systems<sup>®</sup>  
Incorporated



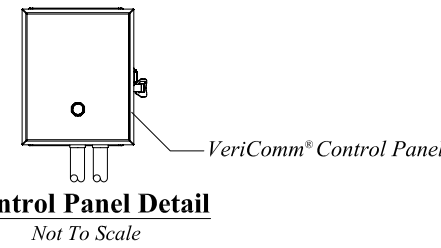
1000 gal. Primary Tank - Top View

800 gal. Recirculating Tank - Top View

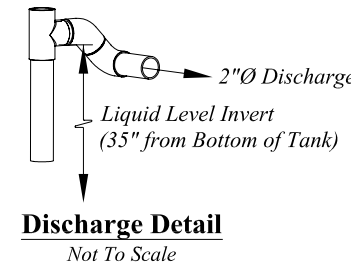
**Note:** Only tanks from the manufacturers listed below shall be used.

Tank Manufacturer	Septic Tank Size	I	D
Orenco Fiberglass Tank	1000 Gal.	11"	65"
C.T. Jamison	1000 Gal.	14"	65"
Hanover Precast	1000 Gal.	16"	66.5"
Rockingham Precast	1000 Gal.	16"	64"
Wrights Ready Mix	1000 Gal.	15"	65"
Beasley Concrete	1000 Gal.	16"	66"

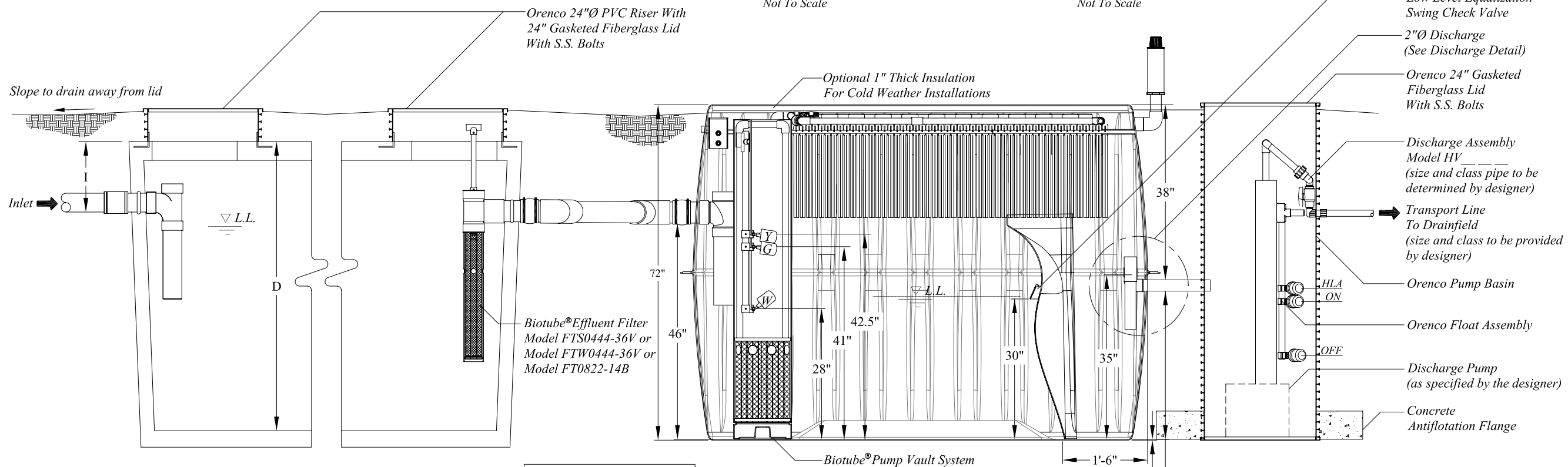
**Note:** All tanks shall be tested for watertightness. All concrete tanks shall have PRTA24 cast into tank for acceptance of Model RR24XX Riser.



**Control Panel Detail**  
Not To Scale



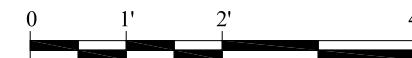
**Discharge Detail**  
Not To Scale



1000 gal. Primary Tank - Side View

800 gal. Recirculating Tank - Side View

Float Functions	
Y	High Level Alarm
G	Override Timer ON/OFF
W	LLA/RO



Graphic Scale

Title: **AX20RT Mode 1A with Pump Basin**

Drawn By: **BEN SMITH**

Designed By: **ENGINEERING**

U.S. Patents-4,439,323  
5,492,635-6,372,137-5,360,556  
5,980,748-5,531,894- 5,480,561  
Other Patents Pending  
© 2005 Orenco Systems<sup>®</sup>, Inc

Drawing No. **NDW-ATX-RT-VA-3**

Drawing: **1 OF 1**

Approved By:

Other Patents Pending  
© 2005 Orenco Systems<sup>®</sup>, Inc

Scale: **AS SHOWN**

Date: **3/10/2010**

Revision: **A-01**

Date Approved:

# Dose Tank Discharge, 2-Comp. Recirculating Tank with Discharge Pump in External Tank (VA)

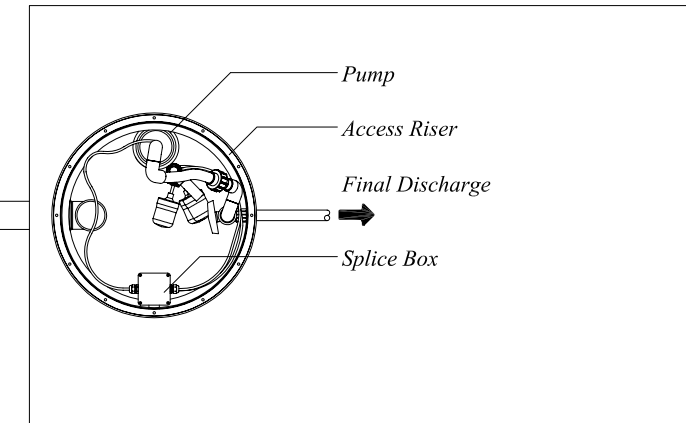
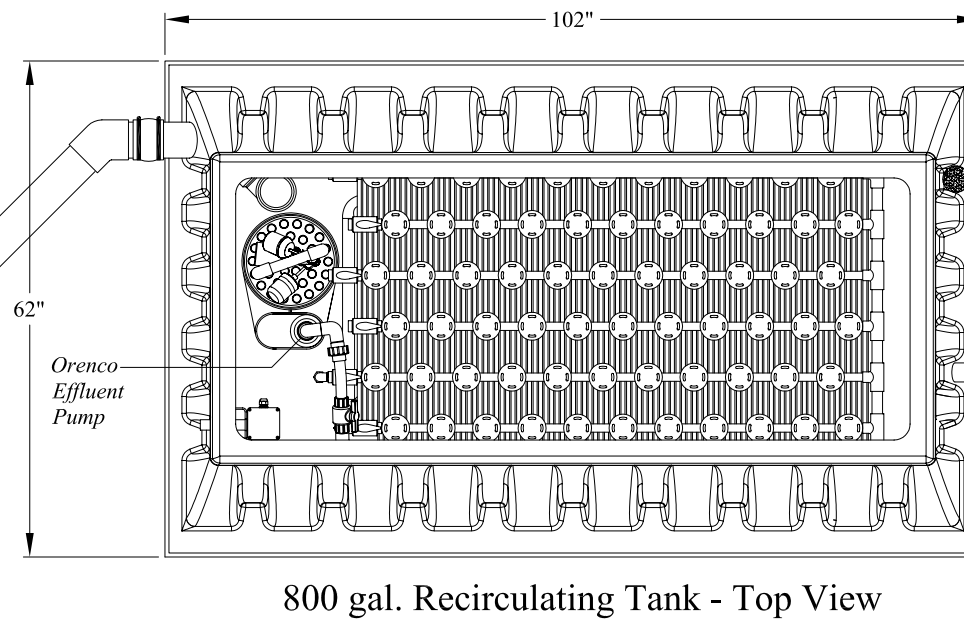
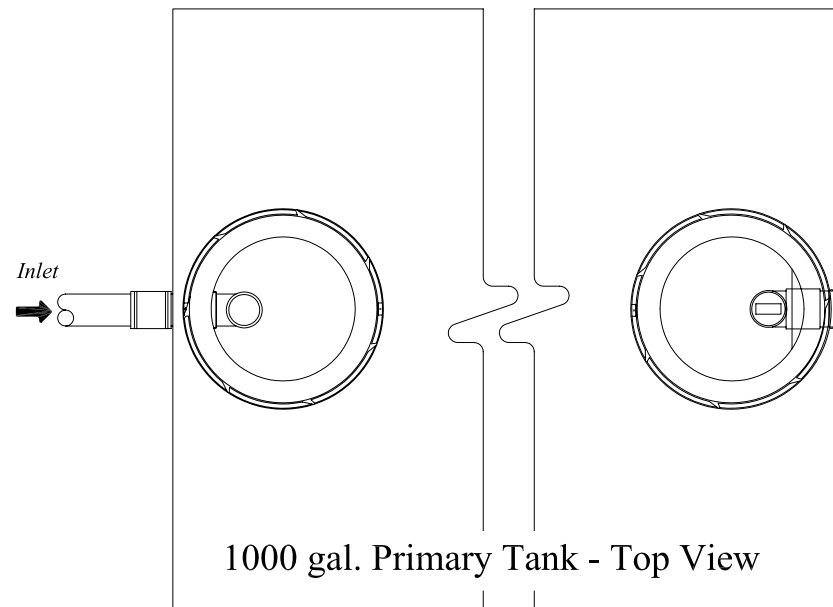
Filter Tank Dry Weight: 860 lbs

## Design and Installation Notes

- For Expected Flows Up To 4 Bedrooms
- Installation To Be Performed By An Orenco Authorized Installer Only
- Start-up To Be Performed By An Orenco Authorized Service Provider



Orenco Systems<sup>®</sup>  
Incorporated

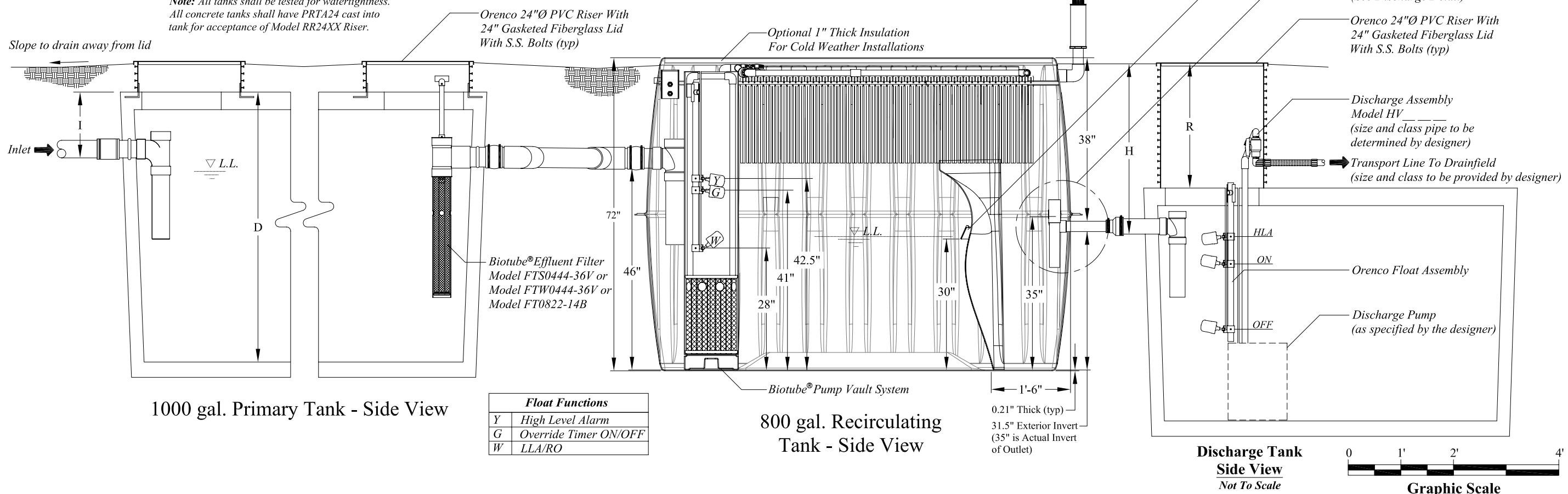
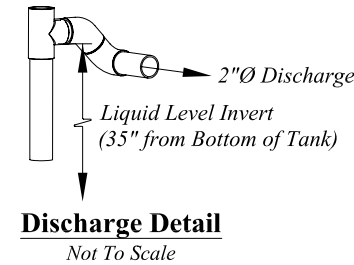
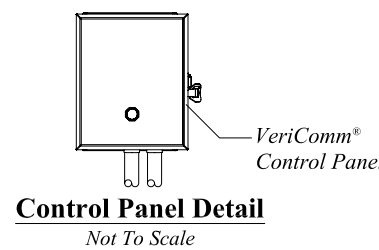


**Note:** Only tanks from the manufacturers listed below shall be used.

Tank Manufacturer	Septic Tank Size	I	D	H	*R
Orenco Fiberglass Tank	1000 Gal.	11"	65"	42"	34"
C.T. Jamison	1000 Gal.	14"	65"	42"	30"
Hanover Precast	1000 Gal.	16"	66.5"	42"	28"
Rockingham Precast	1000 Gal.	16"	64"	42"	28"
Wrights Ready Mix	1000 Gal.	15"	65"	42"	30"
Beasley Concrete	1000 Gal.	16"	66"	42"	28"

\* Assumes the tank is within 4' of the AX20RT. "R" dimension is based upon the top of the riser being 2-3" above final grade. R = approximate riser height.

**Note:** All tanks shall be tested for watertightness. All concrete tanks shall have PRTA24 cast into tank for acceptance of Model RR24XX Riser.



Float Functions	
Y	High Level Alarm
G	Override Timer ON/OFF
W	LLA/RO

Title: AX20RT Mode 1A with Discharge Tank

Drawn By: BEN SMITH

Designed By: ENGINEERING

U.S. Patents-4,439,323  
5,492,635-6,372,137-5,360,566  
5,980,748-5,531,894- 5,480,561  
Other Patents Pending  
© 2005 Orenco Systems®, Inc

Drawing No. NDW-ATX-RT-VA-4

Approved By: / OF /

Approved By:

Other Patents Pending

Scale: AS SHOWN

Date: 3/10/2010

Revision: A-01

Date Approved: