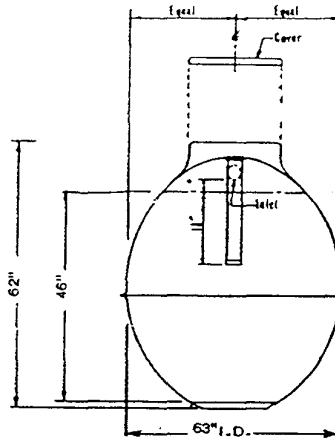
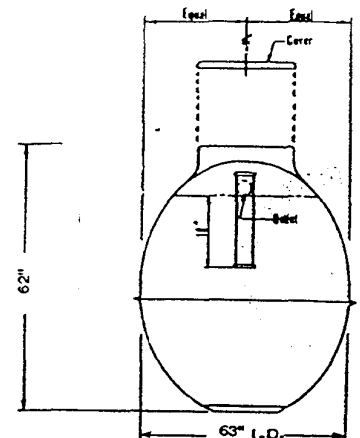


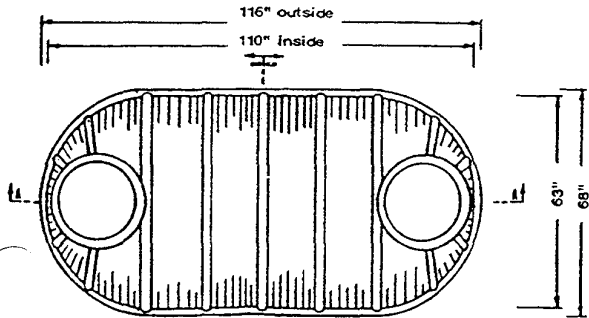
Section "AA"  
(Side View)



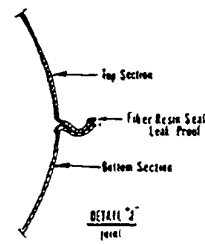
Section "BB"  
(inlet end)



Section "CC"  
(Outlet end)



Top View  
(Covers not shown)



All dimensions in inches  
 1,000 GALLON FIBERGLASS SEPTIC TANK - 12" AIRSPACE  
 Tank design patented. - Jan. 1973 -  
 Distance indicated by \* - drill to suit local codes.

Manufactured In Sumter By  
**T & N** Fiberglass  
 Manufacturing Co., Inc

Specifications for the T&N Fiberglass septic tank mold which is proposed to be used to manufacture fiberglass septic tanks by Homer D. Inman Companies of Castle Hayne, North Carolina.

MANUFACTURED BY

## WRIGHTSBORO SEPTIC SYSTEMS

3314 CASTLE HAYNE ROAD  
CASTLE HAYNE, NORTH CAROLINA 28429

MAILING ADDRESS: Rt. 1, Box 155, Castle Hayne, N. C. 28429  
PHONES: DAY (919) 675-0166 NIGHT (919) 763-1561

PATENT SEARCH Completed. PATENT APPLICATION Pending.

APPROVED DATES: N. C. 12-31-71 S. C. 5-4-73

DIMENSION: \_\_\_\_\_ X \_\_\_\_\_ CAPACITY: \_\_\_\_\_

VACUUM TEST: 78" WATER COLUMN 15 MINUTES.

RESIN MFG. BY: \_\_\_\_\_  
WITH STYRENE MONOMER.

LOT No. \_\_\_\_\_ PRODUCT No. \_\_\_\_\_

GLASS MFG. BY: \_\_\_\_\_

CATALYST BY MEK CHEMICAL COMPANY. MEK - 60.  
PEROXIDES OF METHYL ETHYL KETONE IN PLASTICIZER.

SERIAL No. \_\_\_\_\_

WARNING. MAKE SURE BOTTOM OF HOLE IS LEVEL. DO  
NOT STRIKE WITH HARD OR SHARP OBJECTS.  
BURY TANK CLOSE TO TOP OF GROUND. FILL  
AROUND TANK WITH LOOSE SOIL. DO NOT  
OPERATE EQUIPMENT OVER TANK. COVER  
TANK WITH CAUTION.