



COMMONWEALTH of VIRGINIA

Department of Health

P O BOX 2448

RICHMOND, VA 23218

September 6, 2002

TDD 1-800-828-1120

Mr. Richard Wilson
General Manager
Winchester Building Supply Co., Inc.
2001 Millwood Pike
Winchester, VA 22602

Dear Mr. Wilson:

I have reviewed the engineering drawings for septic tank forms you had submitted with your letter dated August 2, 2002. The drawings are for several different models for single and two-compartment Septic Tank (ST), "Advantax" Tank (AT) and for Grease Traps (GT). The tanks are either top seam (TS) or mid seam (MS). The models include ST-1500H-TS, ST-1500-TS, ST-1500-MS, ST-1250-MS, ST-1000-MS, ST-1000H-TS, ST-1000-TS, AT-1500H-TS, AT-1500-TS, AT-1000H-TS, AT-1000-TS, GT-1500H-TS, GT-1500-TS, GT-1000H-TS, and GT-1000-TS.

Section 12 VAC 5-610-815 of the Sewage Handling and Disposal Regulations (*Regulations*) specifies the design requirements for a septic tank. The information you have submitted for the above mentioned tanks appears to be in substantial compliance with the minimum requirements of the *Regulations*.

Please note that this approval is for forms only. You still must use adequate strength concrete and appropriate reinforcement material to make sure that the tanks are structurally sound. The tanks must also be properly installed and must have adequate inlet and outlet structures that comply with the current *Regulations*.

If you have any questions about this letter, you may call me at 804-225-4019.

Thank you,

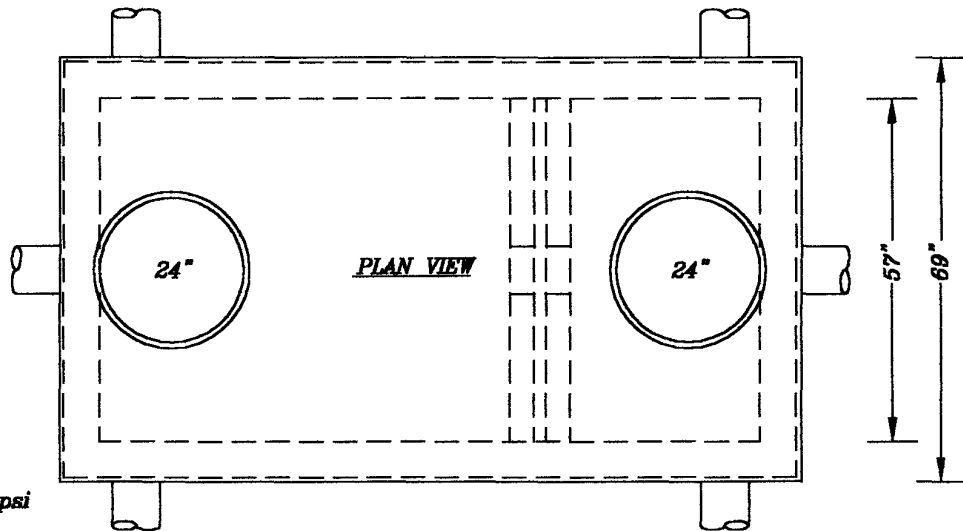
Sincerely,

A handwritten signature in black ink, appearing to read "Anish R. Jantrania".

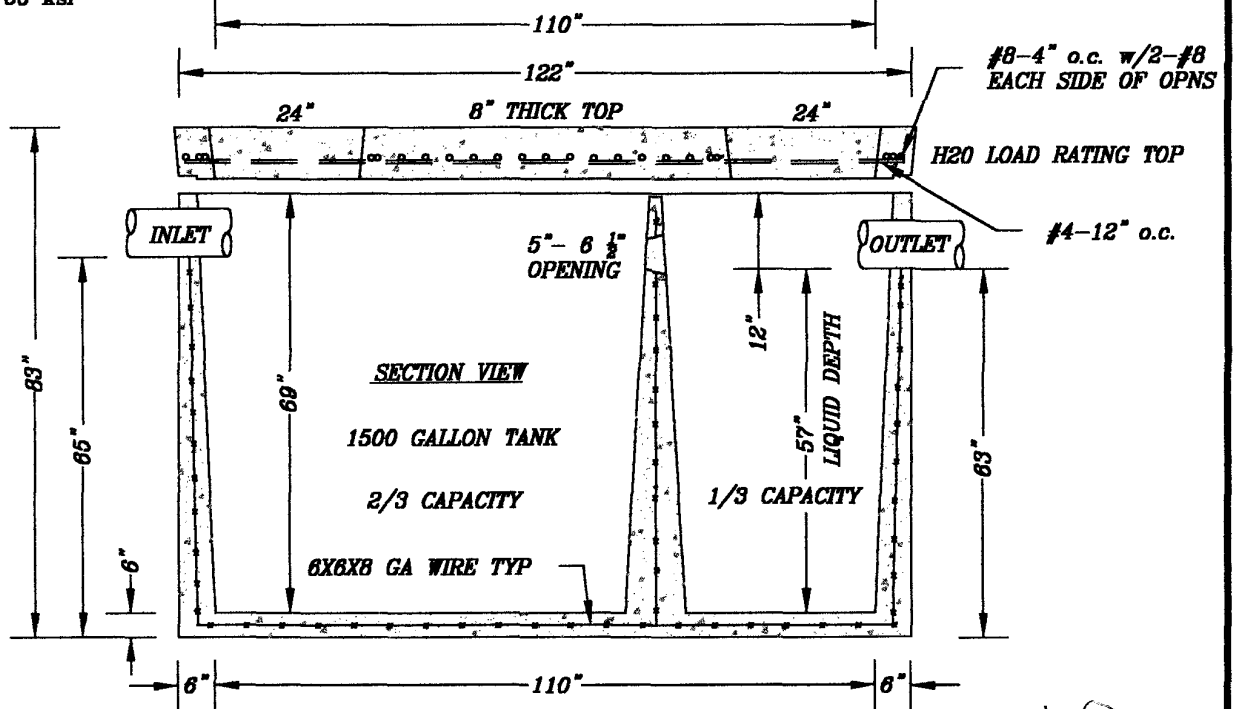
Anish R. Jantrania, Ph.D., P.E.
Technical Services Engineer.

WBS
PRECAST

GREASE TRAP
1500 GALLON
GT-1500H-TS
TOP SEAM
H2O RATING



CONCRETE 3000 psi
STEEL 60 ksi



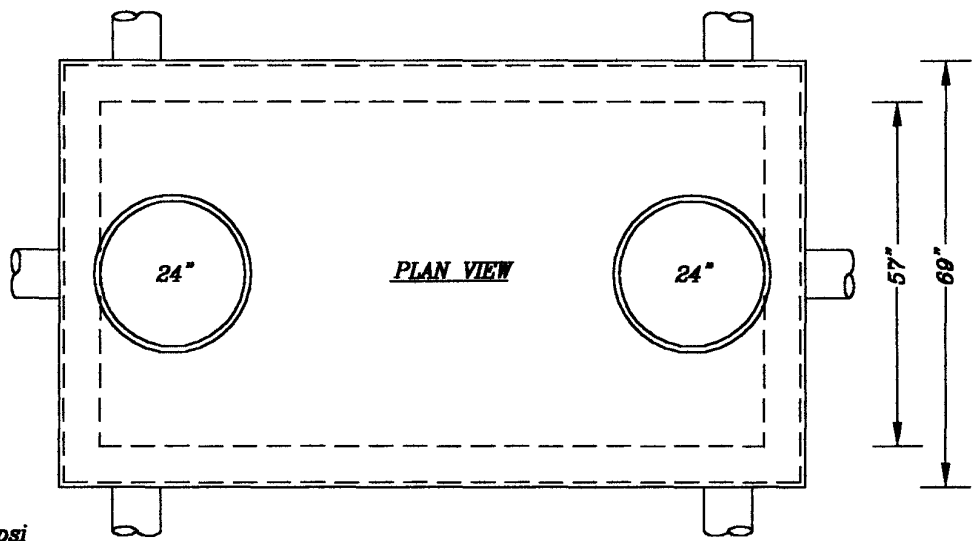
DRAWING DATA			
DATE:	MAY 23, 2002	WEIGHT	
DRAWN BY:	G.R.O.	LID	5,912 lbs.
MANAGER:		TANK	15,781 lbs.
REVIEW BY:	BCM	TOTAL	21,693 lbs.
APPROVED BY:			
DWG:	GT-1500H-TS		
WINCHESTER BUILDING SUPPLY CO., INC. 2001 MILLWOOD PIKE WINCHESTER, VIRGINIA 22602 (540) 667-2301 FAX (540) 667-3430			

ENGINEER'S STAMP

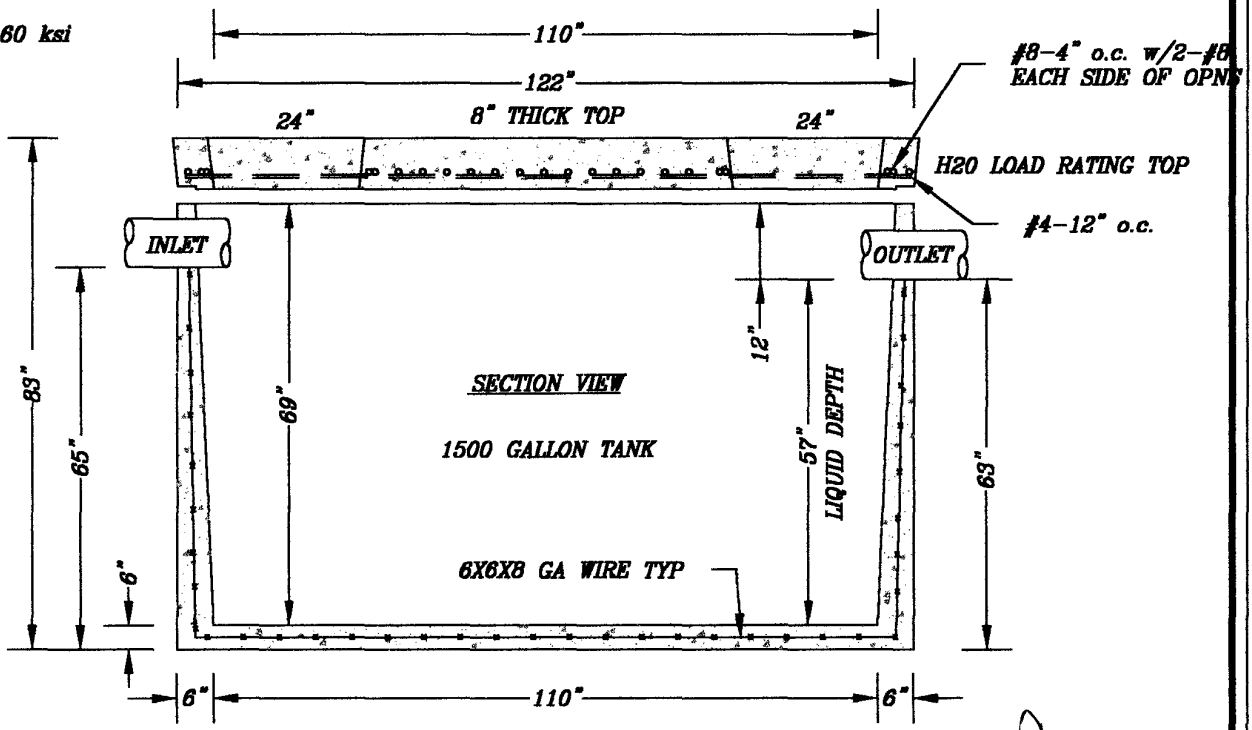
BENJAMIN
CHARLES
MONTGOMERY
No. 0402 030342
PROFESSIONAL ENGINEER

WBS
PRECAST

SEPTIC TANK
1500 GALLON
TOP SEAM
H2O RATING
ST-1500H-TS



CONCRETE 3000 psi
STEEL 60 ksi



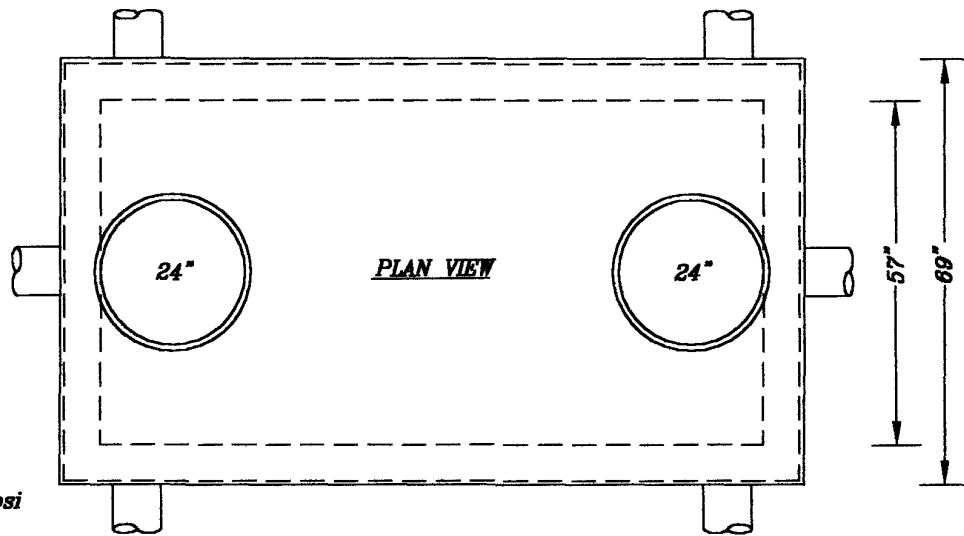
DRAWING DATA			
DATE:	MAY 23, 2002	WEIGHT	
DRAWN BY:	G.R.O.	LID	5,912 lbs.
MANAGER:		TANK	14,097 lbs.
REVIEW BY:	BCM	TOTAL	20,009 lbs.
APPROVED BY:			
DWG:	ST-1500H-TS		
WINCHESTER BUILDING SUPPLY CO., INC. 2001 MILLWOOD PIKE WINCHESTER, VIRGINIA 22602 (540) 667-2301 FAX (540) 667-3430			

ENGINEER'S STAMP

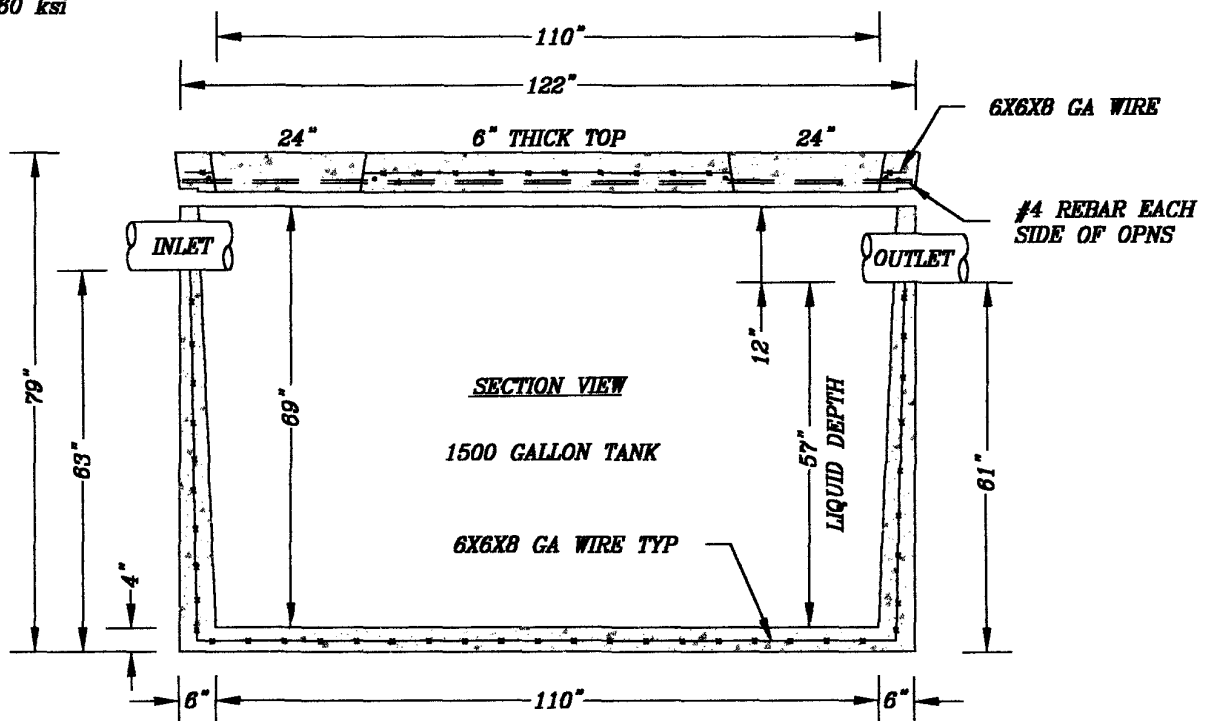
BENJAMIN CHARLES MONTGOMERY
No. 0402 030342
REGISTERED PROFESSIONAL ENGINEER

WBS
PRECAST

SEPTIC TANK
ST-1500-TS 1500 GALLON
TOP SEAM



CONCRETE 3000 psi
STEEL 60 ksi



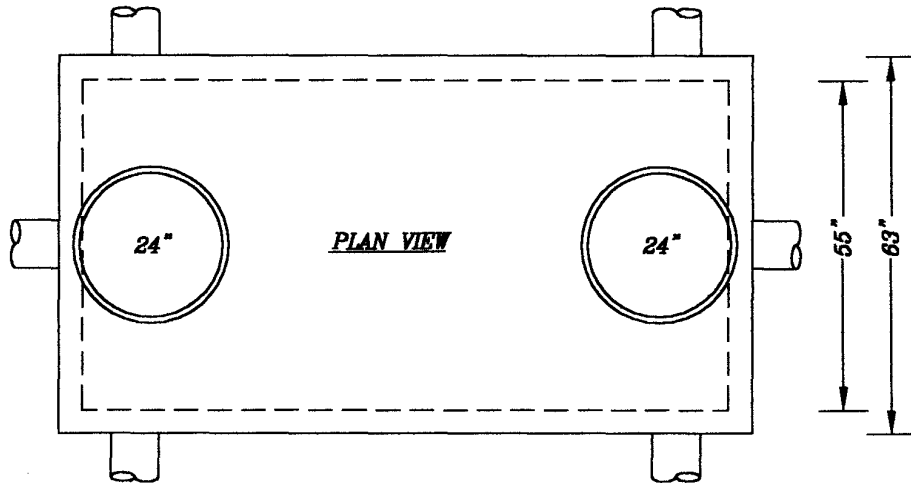
DRAWING DATA			
DATE:	MAY 23, 2002	WEIGHT	
DRAWN BY:	G.R.O.	LID	4,368 lbs.
MANAGER:		TANK	12,554 lbs.
REVIEW BY:	BCM	TOTAL	16,922 lbs.
APPROVED BY:			
DWG:	ST-1500-TS		
WINCHESTER BUILDING SUPPLY CO., INC. 2001 MILLWOOD PIKE WINCHESTER, VIRGINIA 22602 (640) 667-2301 FAX (640) 667-3430			

ENGINEER'S STAMP

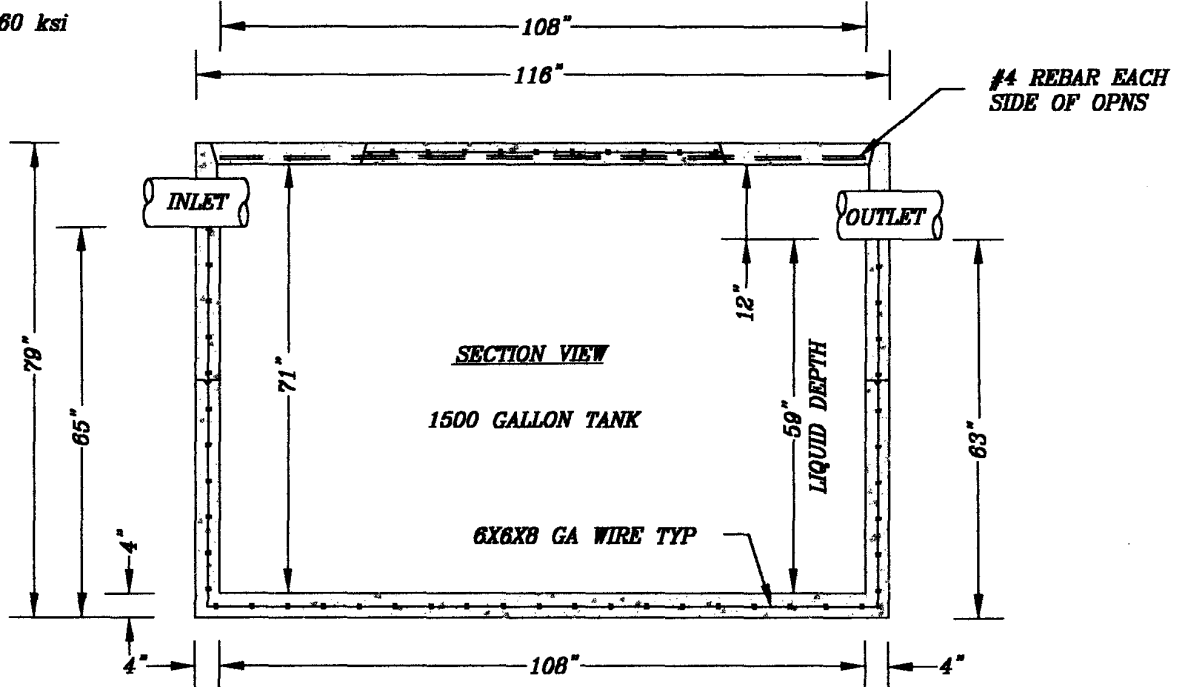
BENJAMIN CHARLES MONTGOMERY
No. 0402 030342
PROFESSIONAL ENGINEER

WBS
PRECAST

ST-1500-MS SEPTIC TANK
1500 GALLON
MID SEAM



CONCRETE 3000 psi
STEEL 60 ksi



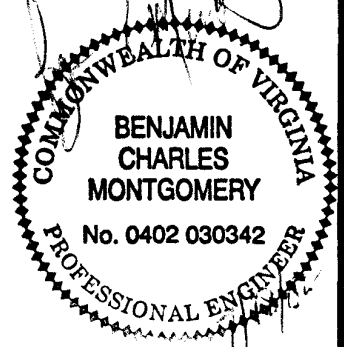
#4 REBAR EACH
SIDE OF OPNS

DRAWING DATA

DATE: MAY 23, 2002	WEIGHT
DRAWN BY: G.R.O.	TOTAL 12,310 lbs.
MANAGER:	
REVIEW BY: BCM	
APPROVED BY:	
DWG: ST-1500-MS	

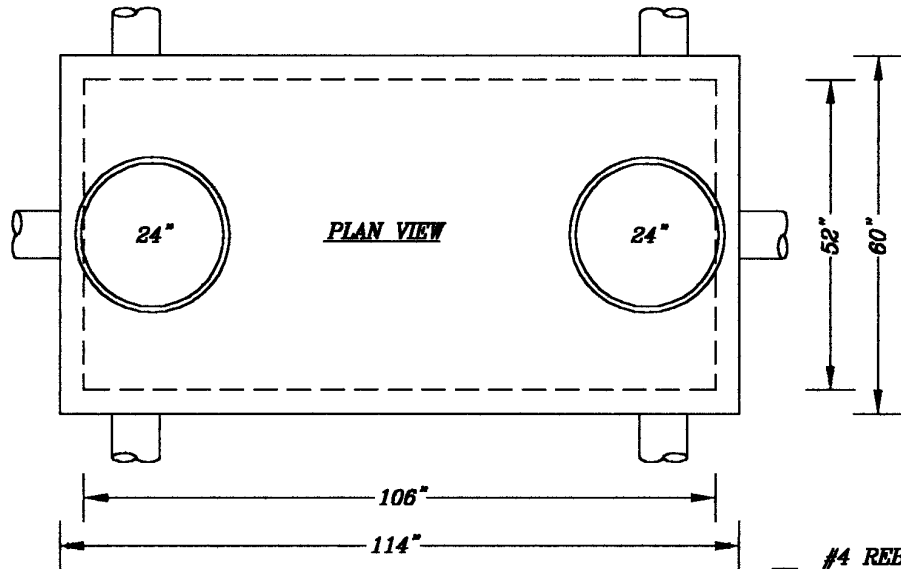
WINCHESTER BUILDING SUPPLY CO., INC.
2001 MILLWOOD PIKE
WINCHESTER, VIRGINIA 22602
(540) 667-2301 FAX (540) 667-3430

ENGINEER'S STAMP



WBS
PRECAST

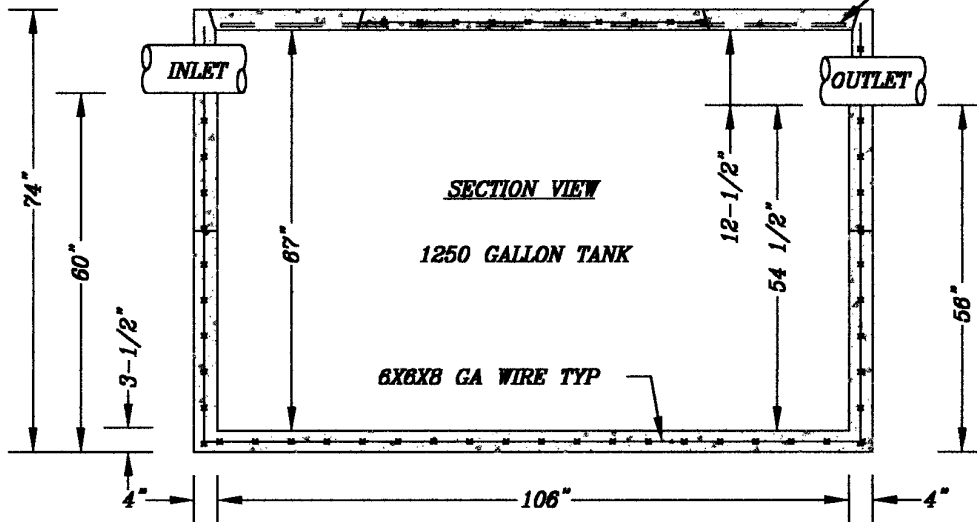
SEPTIC TANK
ST-1250-MS 1250 GALLON
MID SEAM



CONCRETE 3000 psi

STEEL 60 ksi

#4 REBAR EACH SIDE OF OPNS

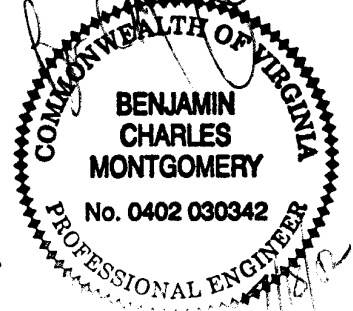


DRAWING DATA

DATE: MAY 23, 2002	WEIGHT
DRAWN BY: G.R.O.	TOTAL 11,268 lbs.
MANAGER:	
REVIEW BY: BCM	
APPROVED BY:	
DWG: ST-1250-MS	

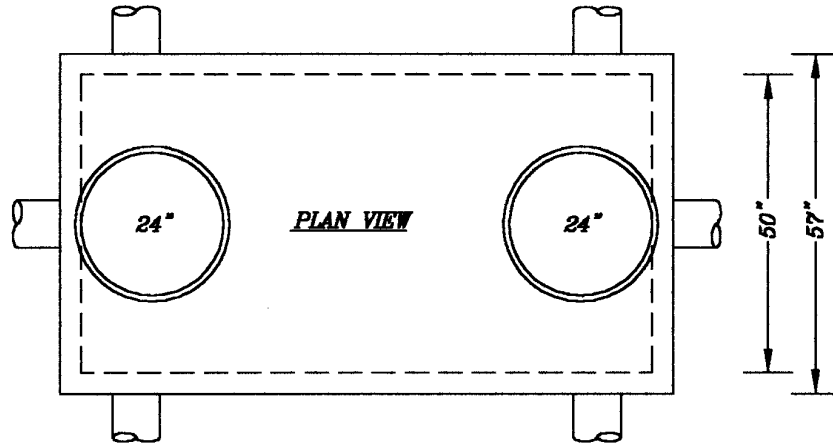
WINCHESTER BUILDING SUPPLY CO., INC.
2001 MILLWOOD PIKE
WINCHESTER, VIRGINIA 22602
(540) 667-2301 FAX (540) 667-3430

ENGINEER'S STAMP

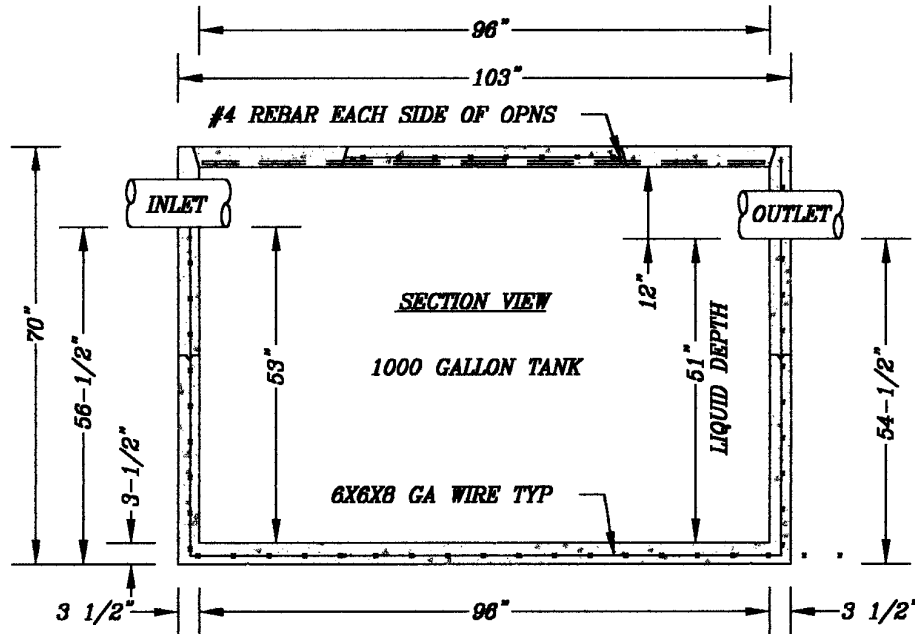


WBS
PRECAST

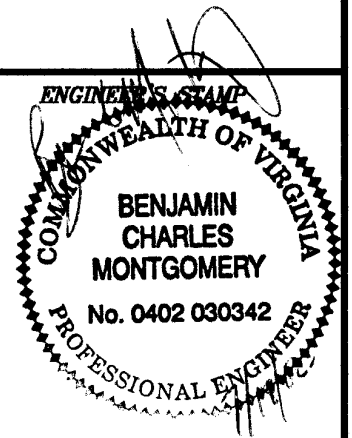
ST-1000-MS
SEPTIC TANK
1000 GALLON
MID SEAM



CONCRETE 3000 psi
STEEL 60 ksi

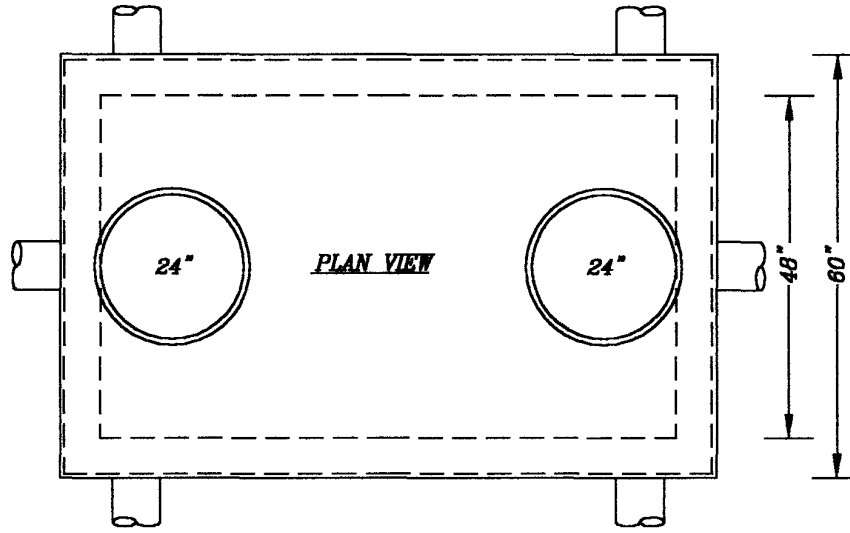


DRAWING DATA	
DATE: MAY 23, 2002	WEIGHT
DRAWN BY: G.R.O.	TOTAL 8,501 lbs.
MANAGER:	
REVIEW BY: BCM	
APPROVED BY:	
DWG: ST-1000-MS	
WINCHESTER BUILDING SUPPLY CO., INC. 2001 MILLWOOD PIKE WINCHESTER, VIRGINIA 22602 (540) 667-2301 FAX (540) 667-3430	

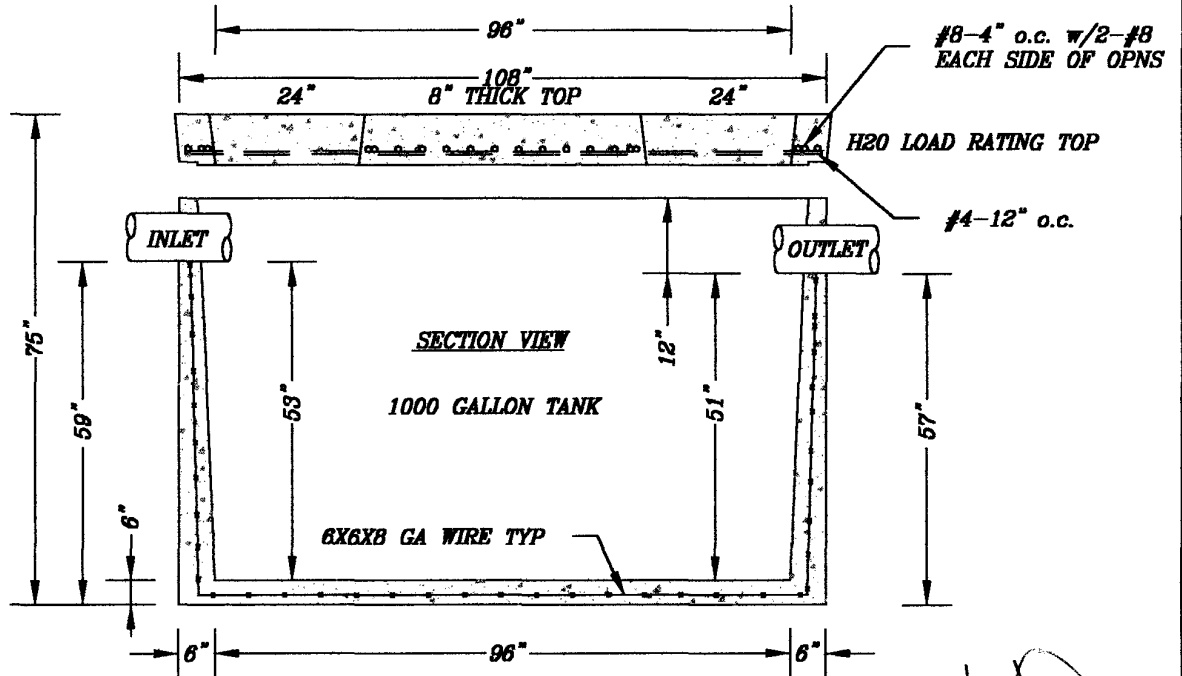


WBS
PRECAST

SEPTIC TANK
1000 GALLON
STOP SEAM
H2O RATING
ST-1000H-TS



CONCRETE 3000 psi
STEEL 60 ksi



DRAWING DATA	
DATE: MAY 23, 2002	WEIGHT
DRAWN BY: G.R.O.	LID 4,523 lbs.
MANAGER:	TANK 11,000 lbs.
REVIEW BY: BCM	TOTAL 15,523 lbs.
APPROVED BY:	
DWG: AT-1000H-TS	
WINCHESTER BUILDING SUPPLY CO., INC. 2001 MILLWOOD PIKE WINCHESTER, VIRGINIA 22802 (540) 667-2301 FAX (540) 667-3430	

ENGINEER'S STAMP

COMMONWEALTH OF VIRGINIA

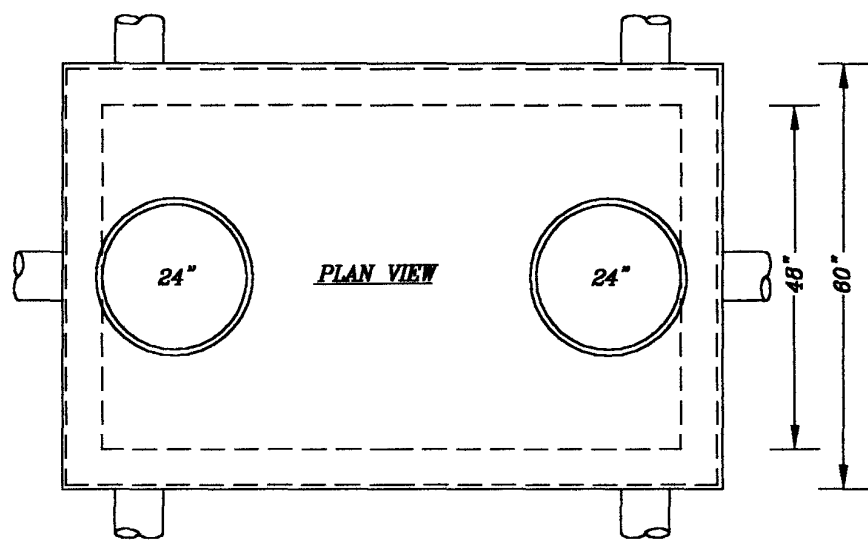
BENJAMIN CHARLES MONTGOMERY

No. 0402 030342

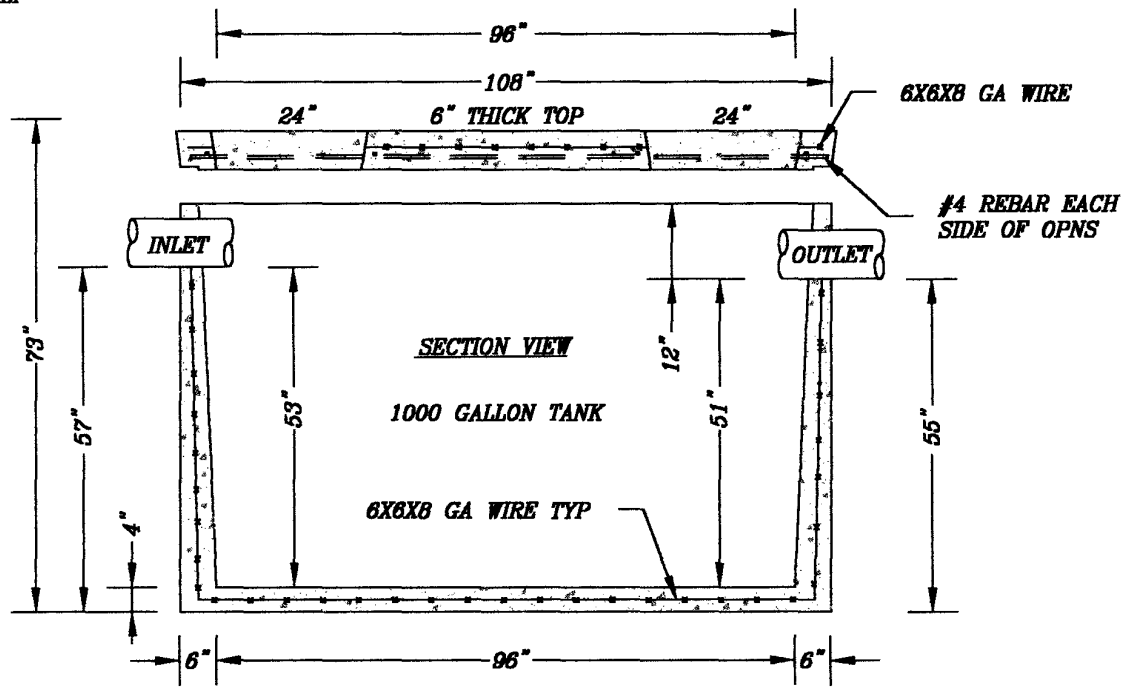
PROFESSIONAL ENGINEER

WBS
PRECAST

ST-1000-TS SEPTIC TANK
1000 GALLON
TOP SEAM



CONCRETE 3000 psi
STEEL 60 ksi



DRAWING DATA			
DATE:	MAY 23, 2002	WEIGHT	
DRAWN BY:	G.R.O.	LID	3,342 lbs.
MANAGER:		TANK	13,273 lbs.
REVIEW BY:	BCM	TOTAL	16,615 lbs.
APPROVED BY:			
DWG:	ST-1000-TS		
WINCHESTER BUILDING SUPPLY CO., INC. 2001 MILLWOOD PIKE WINCHESTER, VIRGINIA 22602 (540) 667-2301 FAX (540) 667-3430			

ENGINEER'S STAMP

COMMONWEALTH OF VIRGINIA

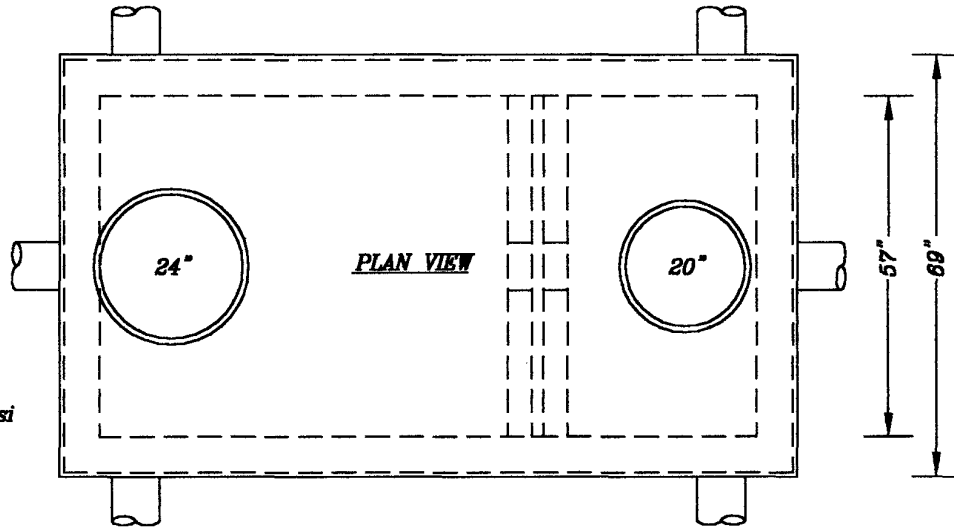
BENJAMIN CHARLES MONTGOMERY

No. 0402 030342

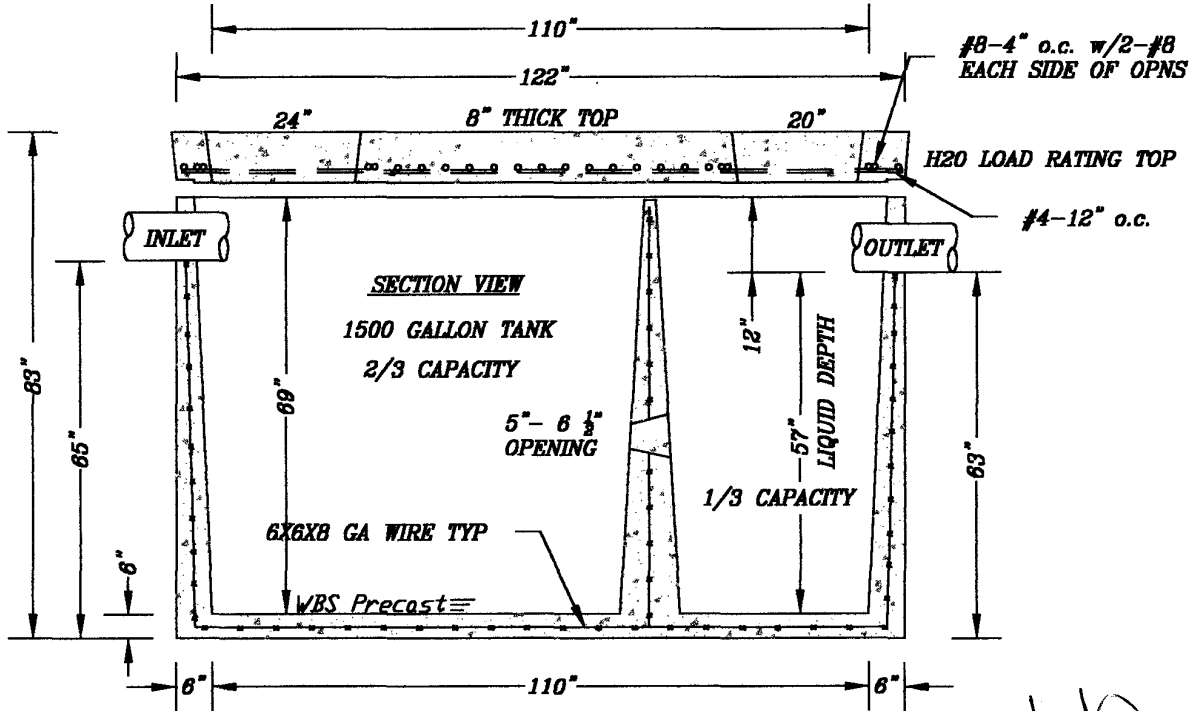
REGISTERED PROFESSIONAL ENGINEER

WBS
PRECAST

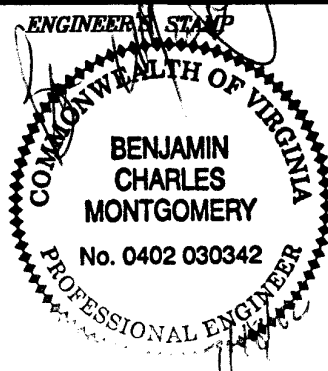
"ADVANTEK"
1500 GALLON
AT-1500H-TS TOP SEAM
H2O RATING



CONCRETE 3000 psi
STEEL 60 ksi



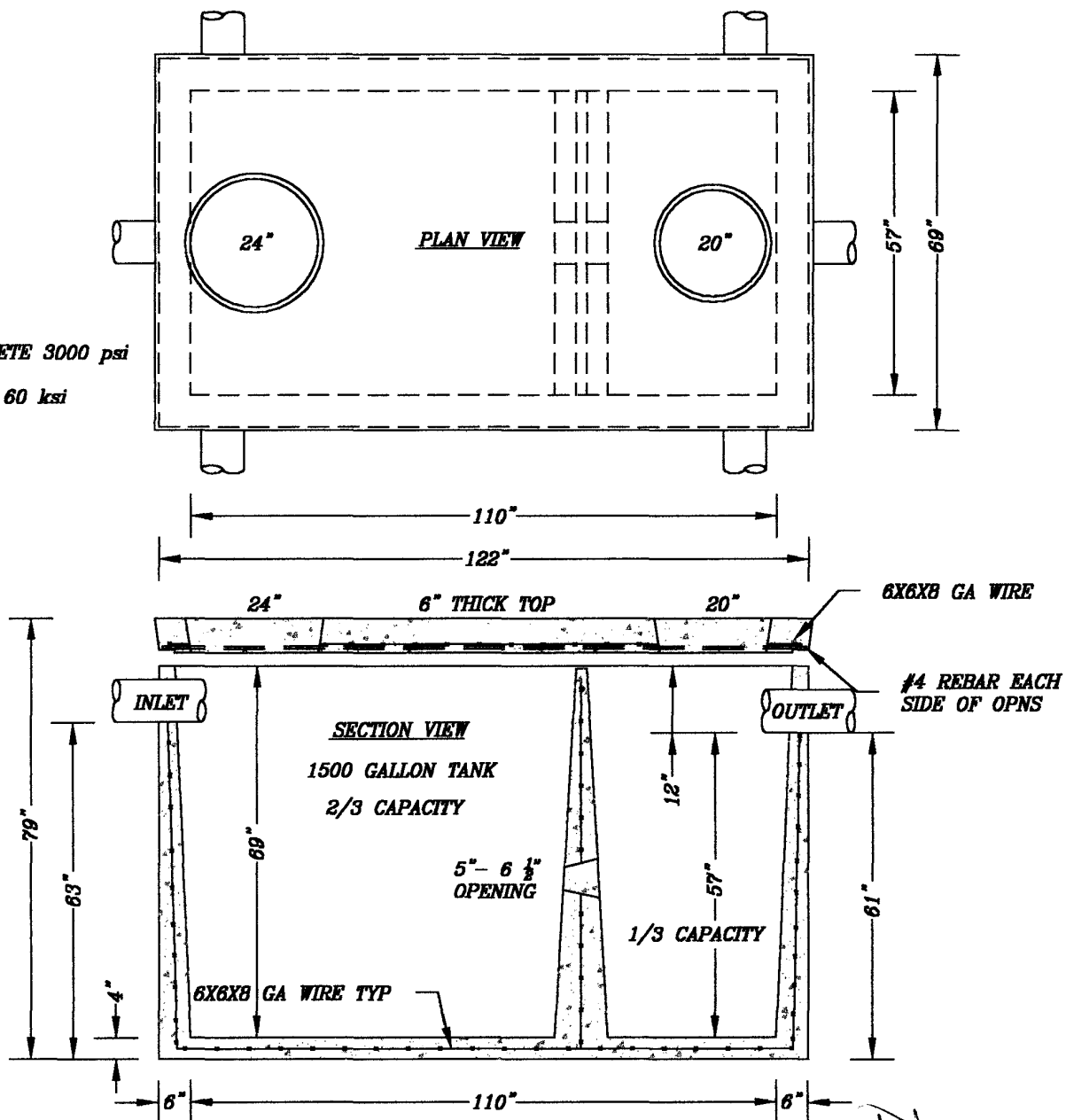
DRAWING DATA			
DATE:	MAY 23, 2002	WEIGHT	
DRAWN BY:	G.R.O.	LID	5,912 lbs.
MANAGER:		TANK	15,781 lbs.
REVIEW BY:	BCM	TOTAL	21,693 lbs.
APPROVED BY:			
DWG:	AT-1500H-TS		
WINCHESTER BUILDING SUPPLY CO., INC. 2001 MILLWOOD PIKE WINCHESTER, VIRGINIA 22602 (540) 887-2301 FAX (540) 887-3430			



WBS
PRECAST

"ADVANTEK"
AT-1500-TS 1500 GALLON
TOP SEAM

CONCRETE 3000 psi
STEEL 60 ksi



DRAWING DATA	
DATE: MAY 23, 2002	WEIGHT
DRAWN BY: G.R.O.	LID 4,368 lbs.
MANAGER:	TANK 14,238 lbs.
REVIEW BY: BCM	TOTAL 18,806 lbs.
APPROVED BY:	
DWG: AT-1500-TS	

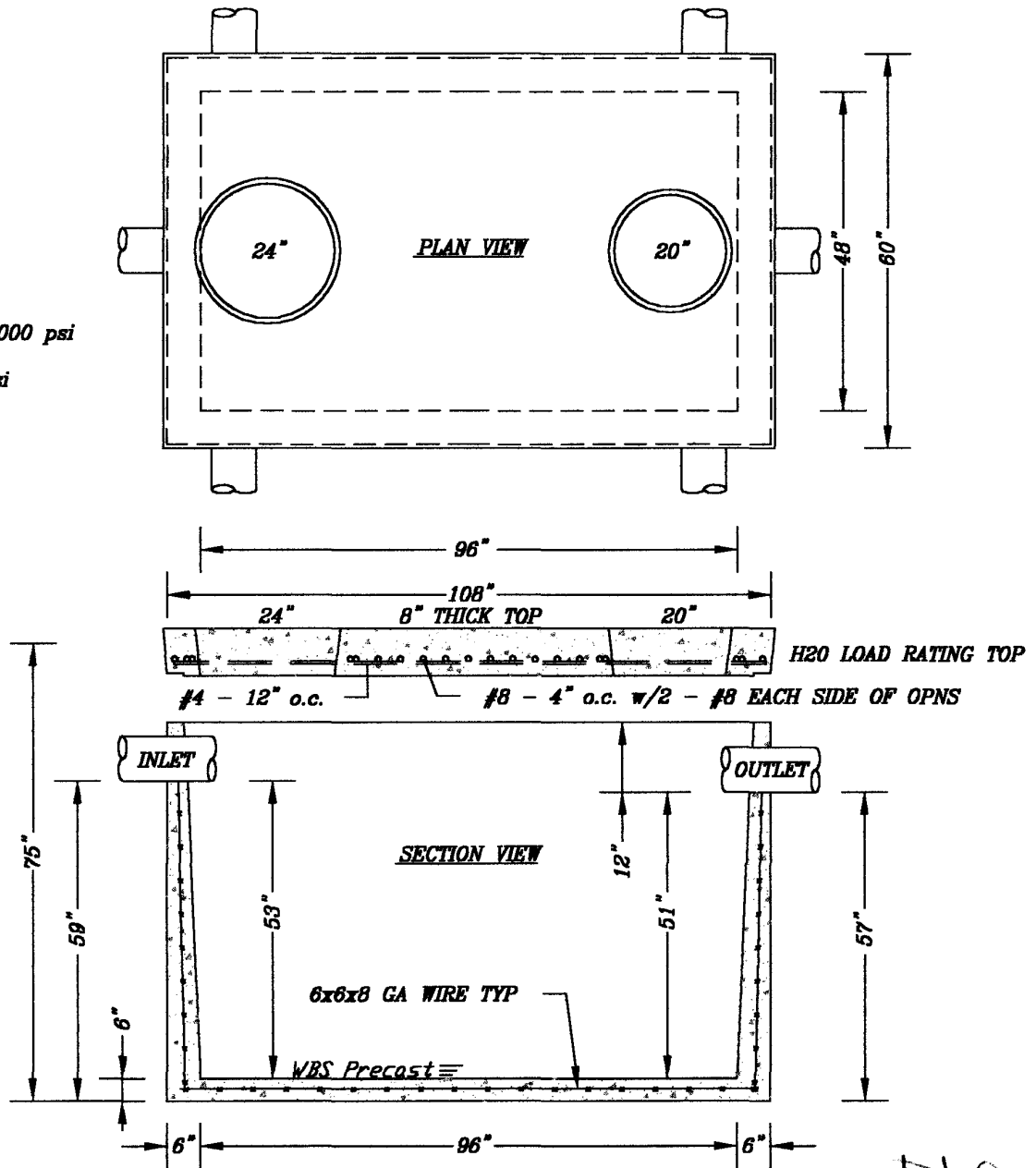
WINCHESTER BUILDING SUPPLY CO., INC.
2001 MILLWOOD PIKE
WINCHESTER, VIRGINIA 22602
(540) 687-2301 FAX (540) 687-3430



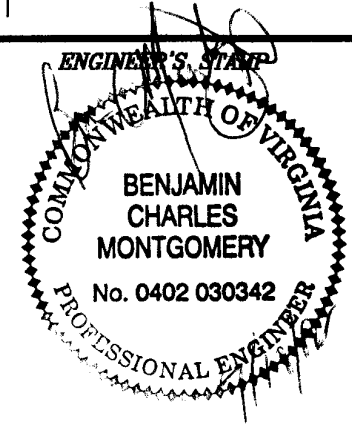
WBS
PRECAST

"ADVANTEK"
1000 GALLON
AT-1000H-TS STOP SEAM
H2O RATING

CONCRETE 3000 psi
STEEL 60 ksi



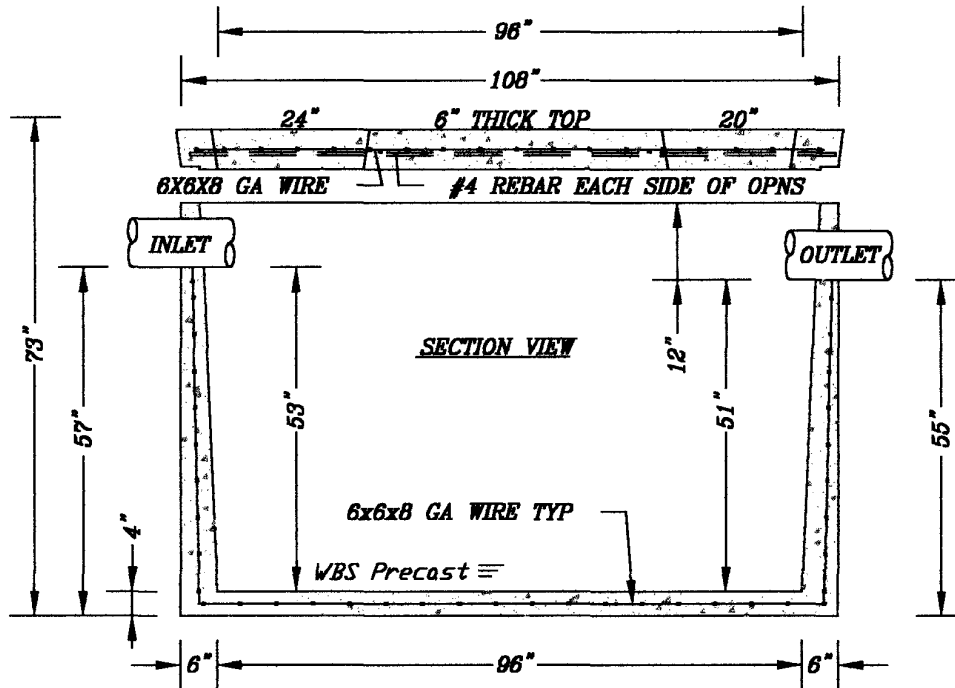
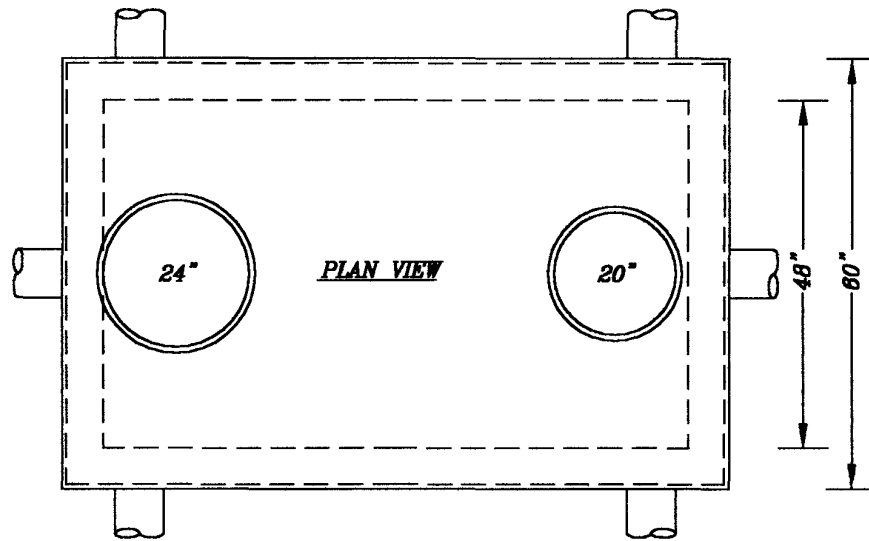
DRAWING DATA	
DATE: MAY 23, 2002	WEIGHT
DRAWN BY: G.R.O.	LID 4,523 lbs.
MANAGER:	TANK 11,000 lbs.
REVIEW BY: BCM	TOTAL 15,523 lbs.
APPROVED BY:	
DWG: AT-1000H-TS	
WINCHESTER BUILDING SUPPLY CO., INC. 2001 MILLWOOD PIKE WINCHESTER, VIRGINIA 22602 (540) 867-2301 FAX (540) 867-3430	



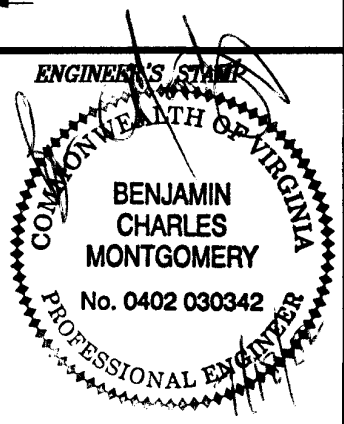
WBS
PRECAST

AT-1000-TS "ADVANTEK"
1000 GALLON
TOP SEAM

CONCRETE 3000 psi
STEEL 60 ksi

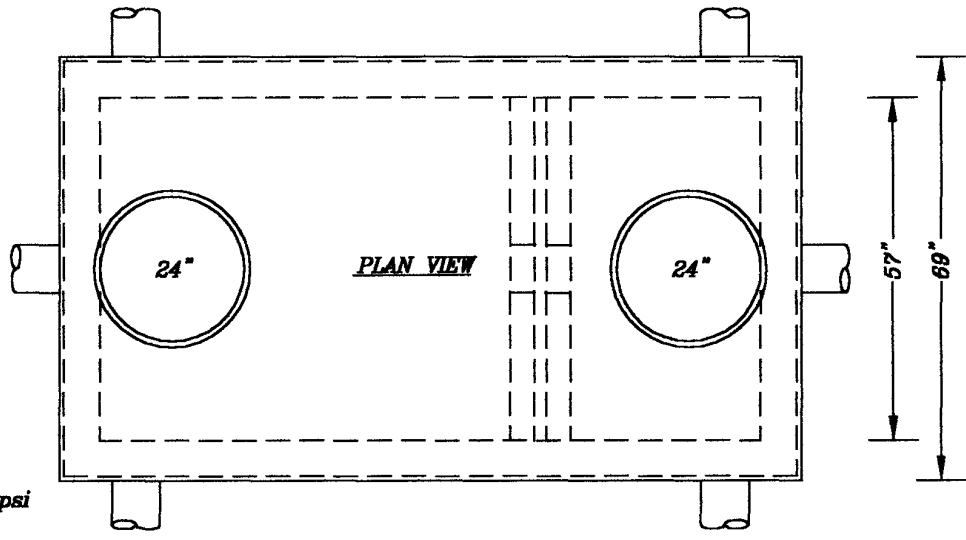


DRAWING DATA			
DATE:	MAY 23, 2002	WEIGHT	
DRAWN BY:	G.R.O.	LID	3,342 lbs.
MANAGER:		TANK	13,273 lbs.
REVIEW BY:	BCM	TOTAL	16,615 lbs.
APPROVED BY:			
DWG:	AT-1000-TS		
WINCHESTER BUILDING SUPPLY CO., INC.			
2001 MILLWOOD PIKE			
WINCHESTER, VIRGINIA 22602			
(540) 687-2301 FAX (540) 687-3430			

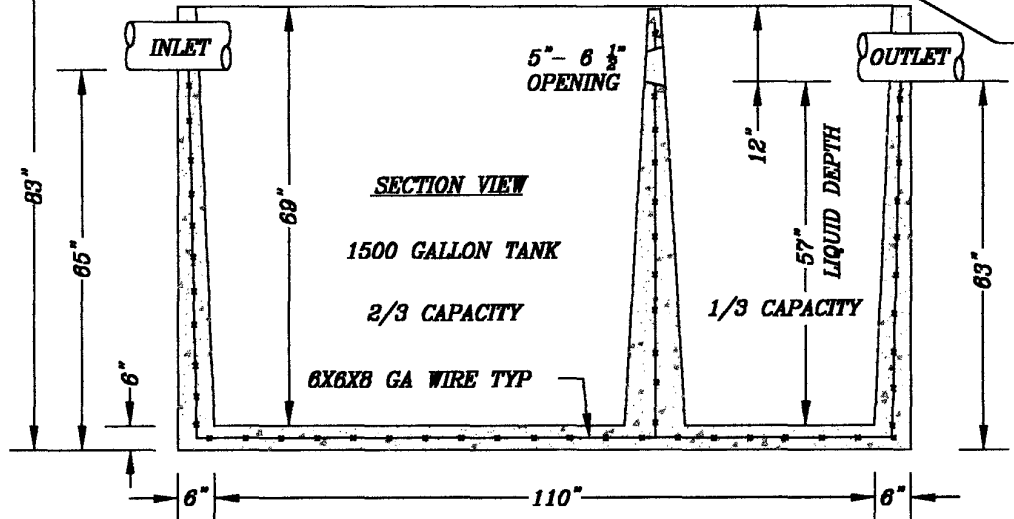
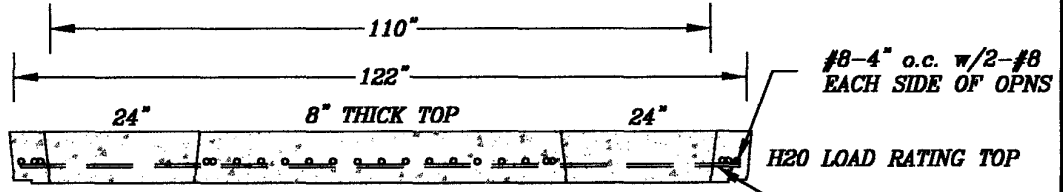


WBS
PRECAST

GREASE TRAP
1500 GALLON
GT-1500H-TS
TOP SEAM
H2O RATING



CONCRETE 3000 psi
STEEL 60 ksi



DRAWING DATA	
DATE: MAY 23, 2002	WEIGHT
DRAWN BY: G.R.O.	LID 5,912 lbs.
MANAGER:	TANK 15,781 lbs.
REVIEW BY: BCM	TOTAL 21,693 lbs.
APPROVED BY:	
DWG: GT-1500H-TS	

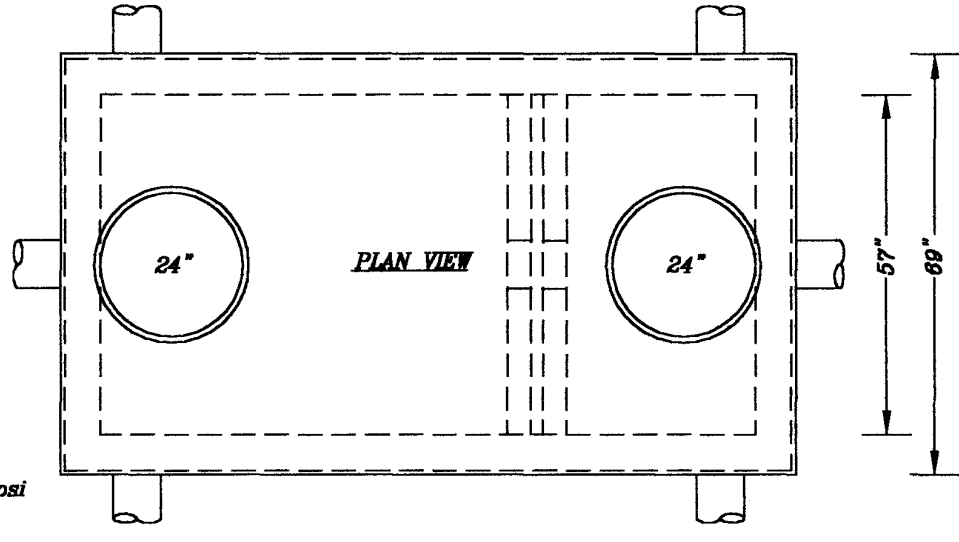
WINCHESTER BUILDING SUPPLY CO., INC.
2001 MILLWOOD PIKE
WINCHESTER, VIRGINIA 22602
(540) 667-2301 FAX (540) 667-3430

ENGINEER'S STAMP

BENJAMIN CHARLES MONTGOMERY
No. 0402 030342
PROFESSIONAL ENGINEER

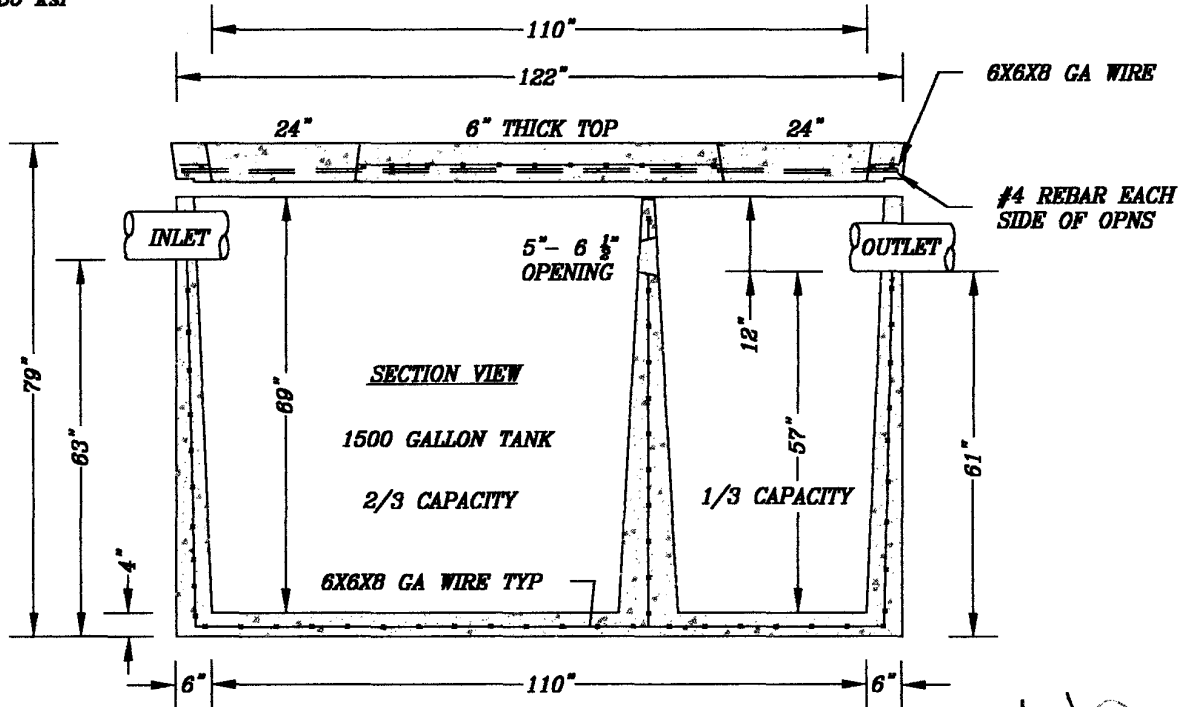
WBS
PRECAST

GREASE TRAP
GT-1500-TS
1500 GALLON
TOP SEAM



CONCRETE 3000 psi

STEEL 60 ksi



DRAWING DATA		
DATE:	MAY 23, 2002	WEIGHT
DRAWN BY:	G.R.O.	LID 4,368 lbs.
MANAGER:		TANK 14,238 lbs.
REVIEW BY:	BCM	TOTAL 18,606 lbs.
APPROVED BY:		
DWG:	GT-1500-TS	
WINCHESTER BUILDING SUPPLY CO., INC. 2001 MILLWOOD PIKE WINCHESTER, VIRGINIA 22602 (540) 667-2301 FAX (540) 667-3430		

ENGINEER'S STAMP

COMMONWEALTH OF VIRGINIA

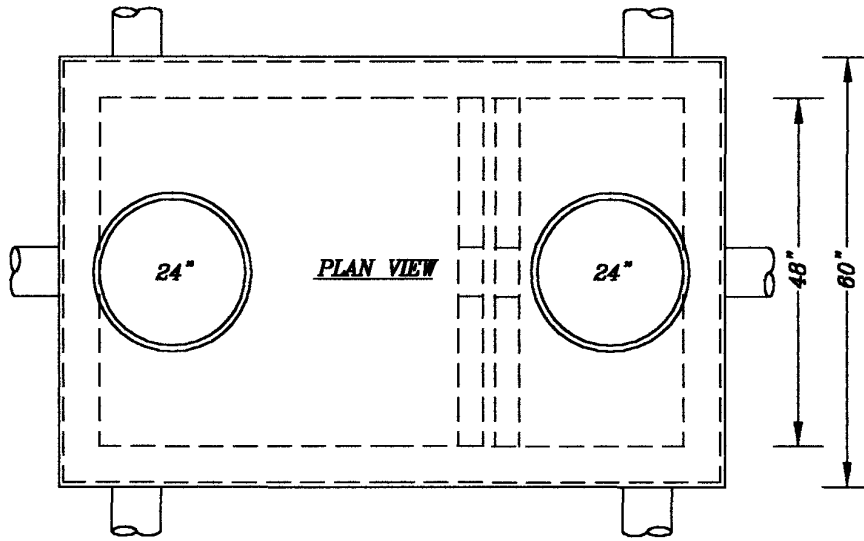
BENJAMIN CHARLES MONTGOMERY

No. 0402 030342

ENGINEER

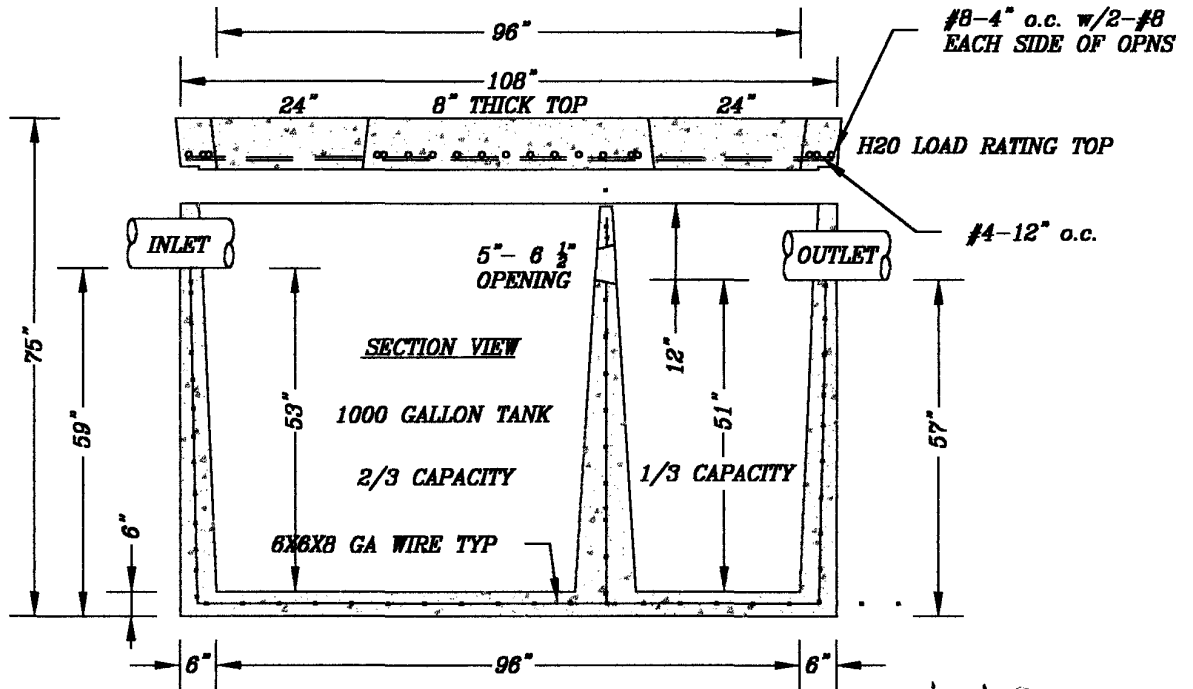
WBS
PRECAST

GREASE TRAP
1000 GALLON
TOP SEAM
H2O RATING
GT-1000H-T



CONCRETE 3000 psi

STEEL 60 ksi



DRAWING DATA	
DATE: MAY 23, 2002	WEIGHT
DRAWN BY: G.R.O. LID	4,523 lbs.
MANAGER:	TANK 12,323 lbs.
REVIEW BY: BCM	TOTAL 16,846 lbs.
APPROVED BY:	
DWG: GT-1000H-TS	
WINCHESTER BUILDING SUPPLY CO., INC.	
2001 MILLWOOD PIKE	
WINCHESTER, VIRGINIA 22602	
(540) 687-2301 FAX (540) 687-3430	

