



COMMONWEALTH of VIRGINIA

Department of Health

P O BOX 2448

RICHMOND, VA 23218

TDD 1-800-828-1120

August 1, 2002

Mr. Richard Wilson
General Manager
Winchester Building Supply Co., Inc.
2001 Millwood Pike
Winchester, VA 22602

Dear Mr. Wilson:

I have reviewed the engineering drawings and information for distribution box forms, models D-6, D-8, D-10, and D-12 from Polylok Inc. The information you submitted appears to be in substantial compliance with the minimum requirements of the *Sewage Handling and Disposal Regulation (Regulation)*, Section 12 VAC 5-610-930.

Please note that this approval is for forms only. You still must use adequate strength concrete (3000 psi) and if necessary appropriate reinforcement material, to make sure that the distribution boxes are structurally sound. The distribution boxes must also be properly installed to comply with the current *Regulation*.

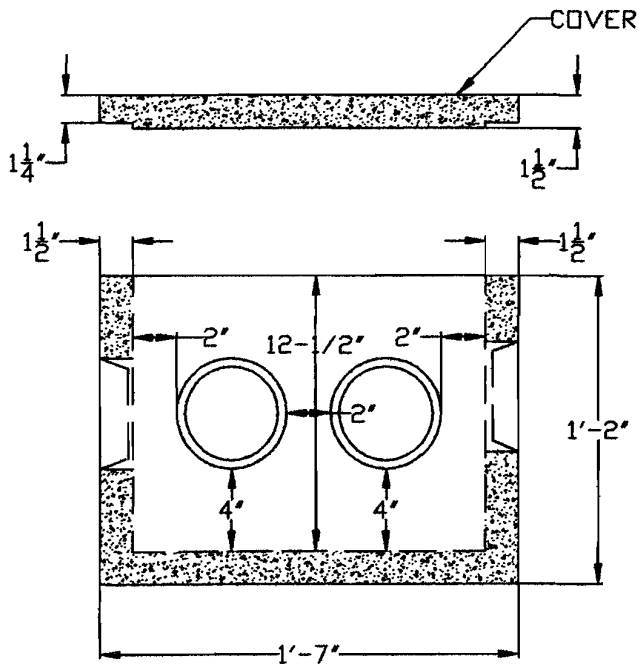
If you have any questions about this letter, you may call me at 804-225-4019.

Thank you,

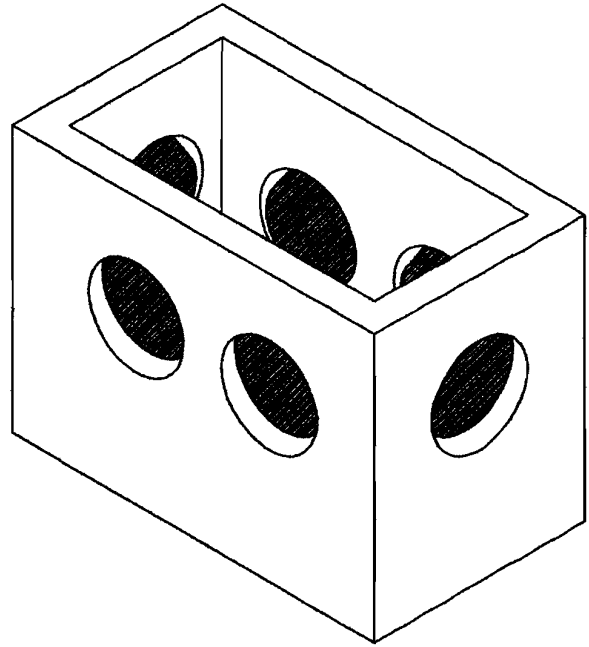
Sincerely,

A handwritten signature in black ink, appearing to read "Anish R. Jantrania".

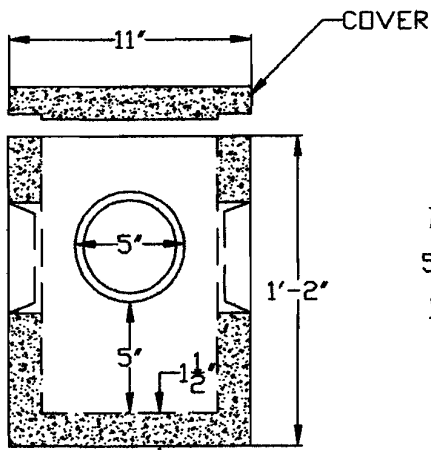
Anish R. Jantrania, Ph.D., P.E.
Technical Services Engineer.



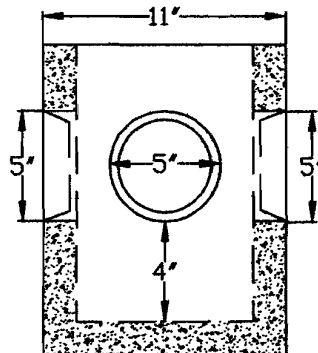
SIDE VIEW



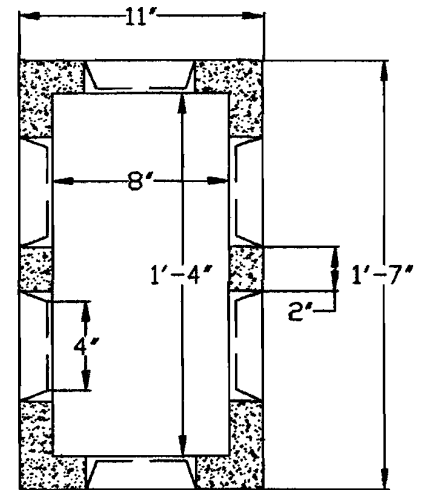
WEIGHT CHART	
TANK	138.7 lbs
COVER	24.8 lbs



INLET VIEW



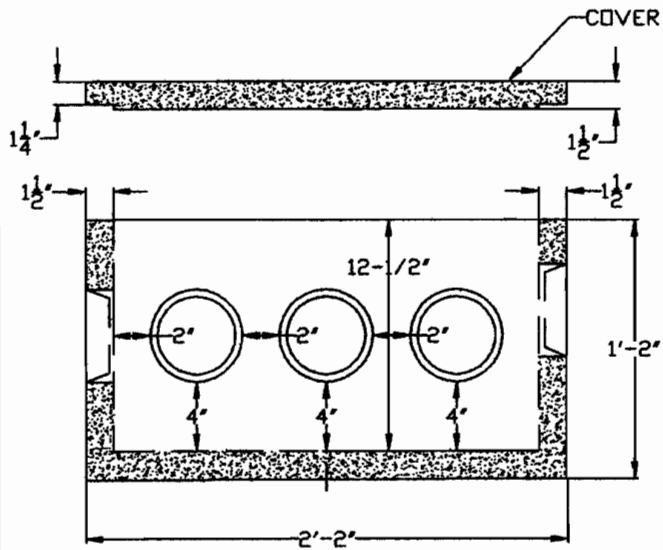
OUTLET VIEW



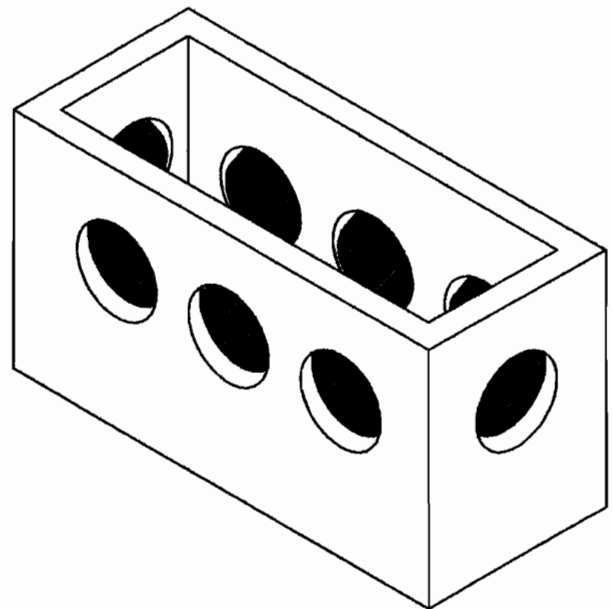
TOP VIEW
(COVER REMOVED)

POLYLOK INC.
173 CHURCH STREET
YALESVILLE, CT 06492
TEL: 1-800-234-3119
FAX: (203)-265-4941

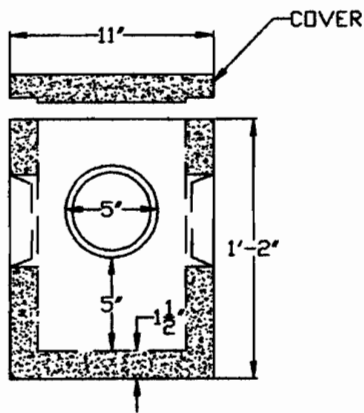
DISTRIBUTION BOX - MODEL D-6		REFER TO DRAWING	
CUSTOMER	WINCHESTER BUILDING SUPPLY	SCALE	1" - 6/50"
JOB		DATE	7/29/02
LOCATION	WINCHESTER, VA	SHEET	SK-1
		DRW	
		CHK	XXX



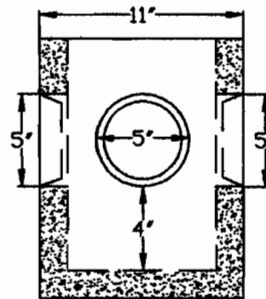
SIDE VIEW



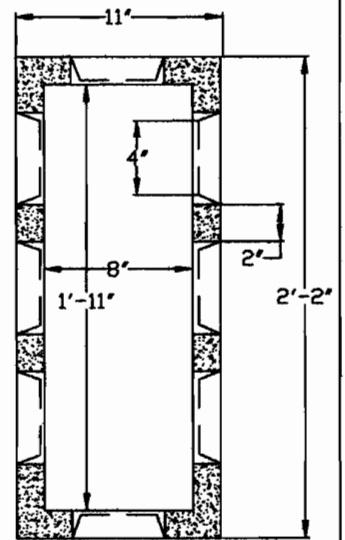
WEIGHT CHART	
TANK	126 lbs.
COVER	34.9 lbs



INLET VIEW



OUTLET VIEW



TOP VIEW
(COVER REMOVED)

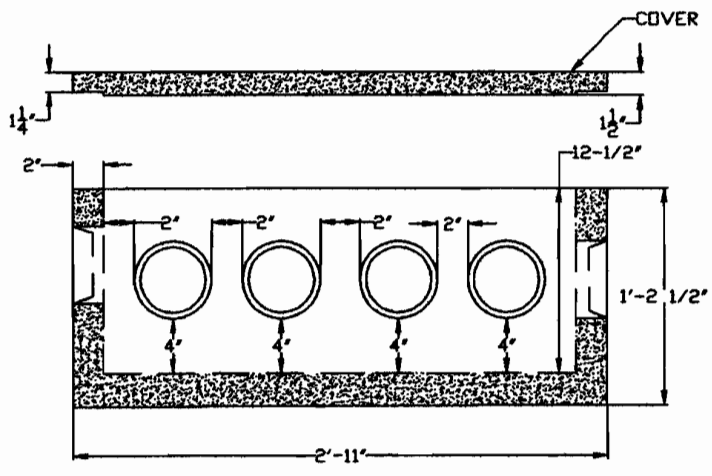
POLYLOK INC.
 173 CHURCH STREET
 YALESVILLE, CT 06492
 TEL: 1-800-234-3119
 FAX: (203)-265-4941

DISTRIBUTION BOX - MODEL D-8

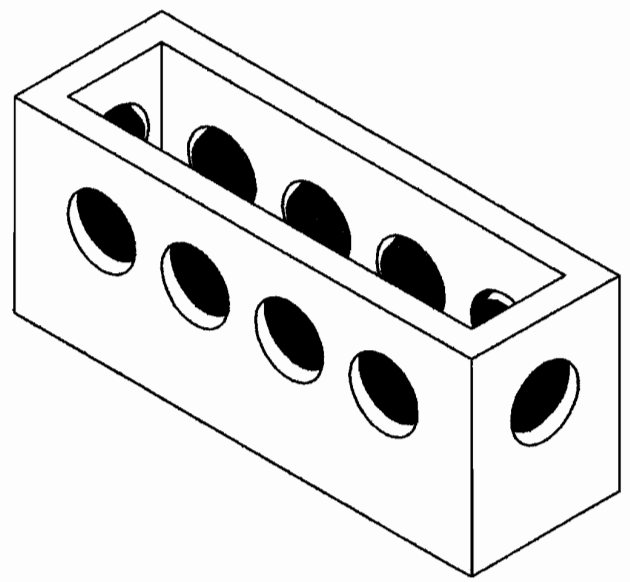
CUSTOMER	WINCHESTER BUILDING SUPPLY
JOB	
LOCATION	WINCHESTER, VA

REFER TO DRAWING

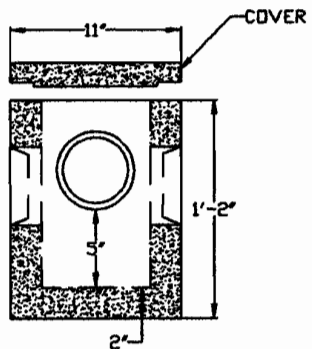
SCALE	1" = 6/50"
DATE	7/29/02
DRW	BMC
CHK	XXX
SHEET	
SK-2	



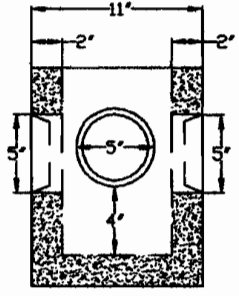
SIDE VIEW



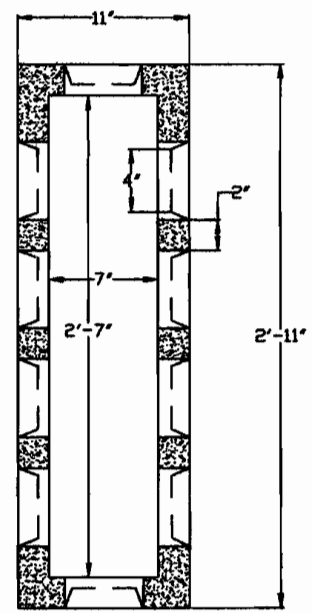
WEIGHT CHART	
TANK	209.5 lbs.
COVER	61.3 lbs.



INLET VIEW



OUTLET VIEW

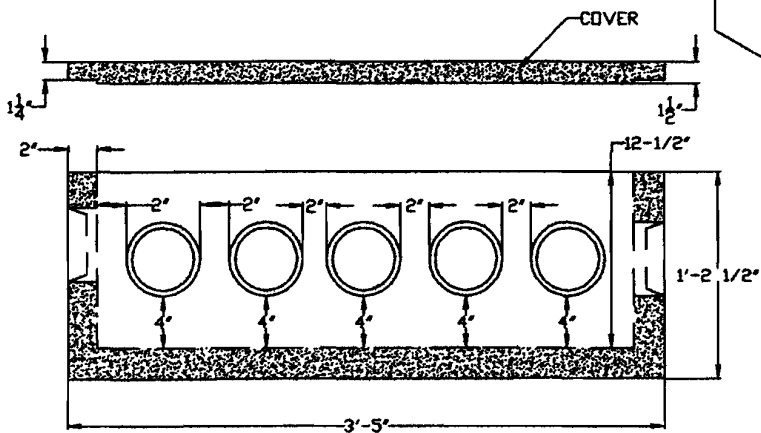


TOP VIEW
(COVER REMOVED)

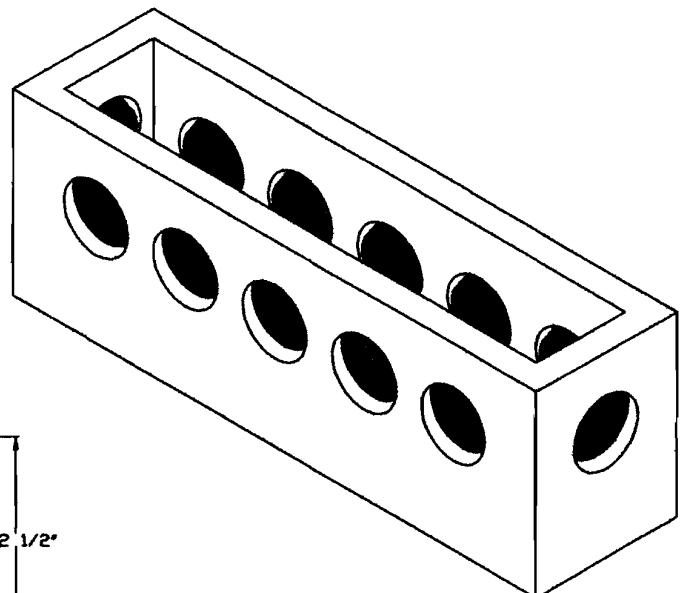
POLYLOK INC.
 173 CHURCH STREET
 YALESVILLE, CT 06492
 TEL: 1-800-234-3119
 FAX: (203)-265-4941

DISTRIBUTION BOX - MODEL D-10		REFER TO DRAWING	
CUSTOMER	WINCHESTER BUILDING SUPPLY	SCALE	1" = 6/50"
JOB		DATE	7/29/02
LOCATION	WINCHESTER, VA	DRW	BMC
		CHK	XXX

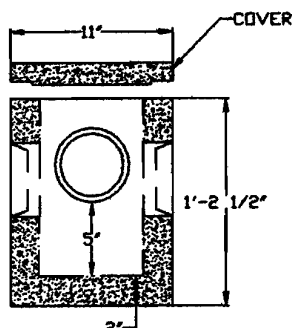
SHEET
SK-3



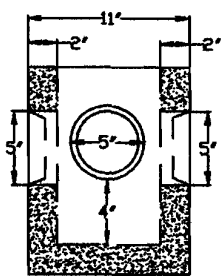
SIDE VIEW



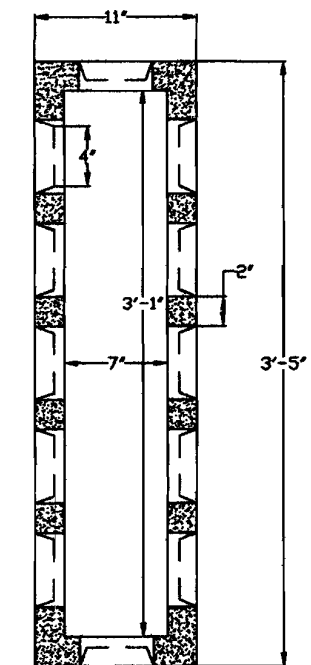
WEIGHT CHART	
TANK	245.66 lbs
COVER	74 lbs.



INLET VIEW



OUTLET VIEW



TOP VIEW
(COVER REMOVED)

POLYLOK INC.
 173 CHURCH STREET
 YALESVILLE, CT 06492
 TEL: 1-800-234-3119
 FAX: (203)-265-4941

DISTRIBUTION BOX - MODEL D-12		REFER TO DRAWING	
CUSTOMER	WINCHESTER BUILDING SUPPLY	SCALE	1" = 6/50"
JOB		DATE	7/29/02
LOCATION	WINCHESTER, VA	SHEET	SK-4
		DRW	
		CHK	XXX