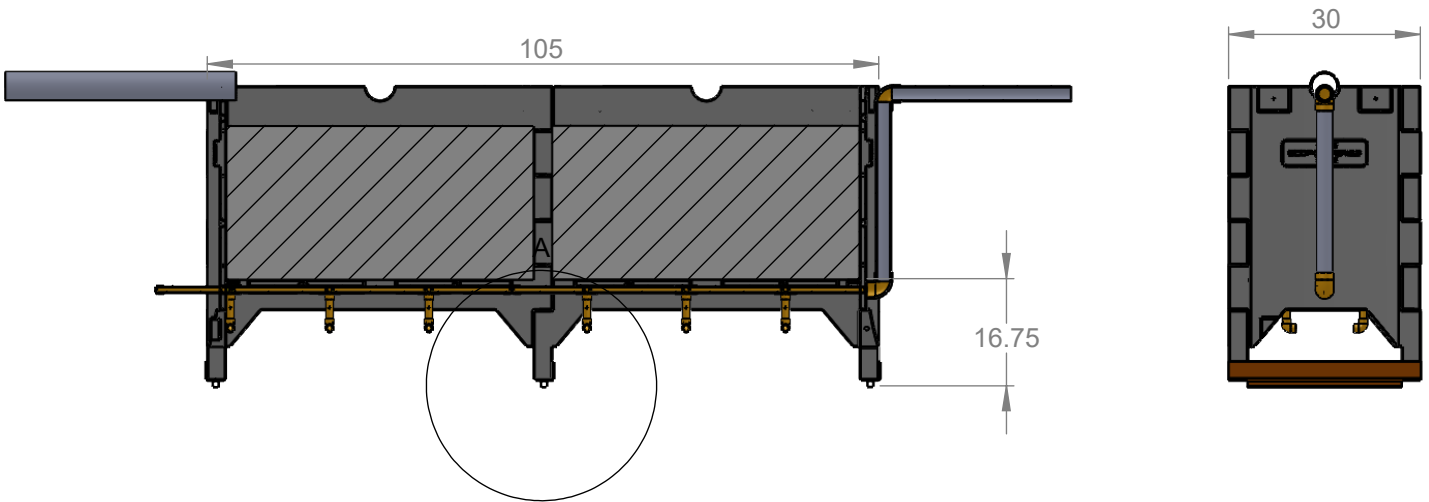


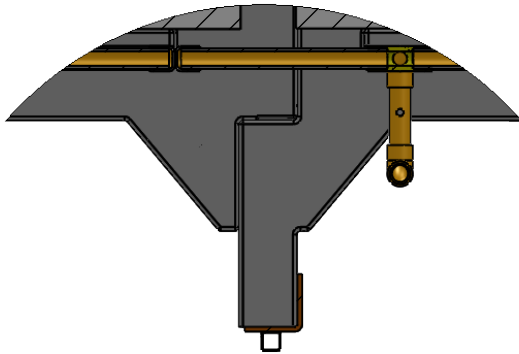
dimensions: in

Ecopod\_100\_1530\_Assembly

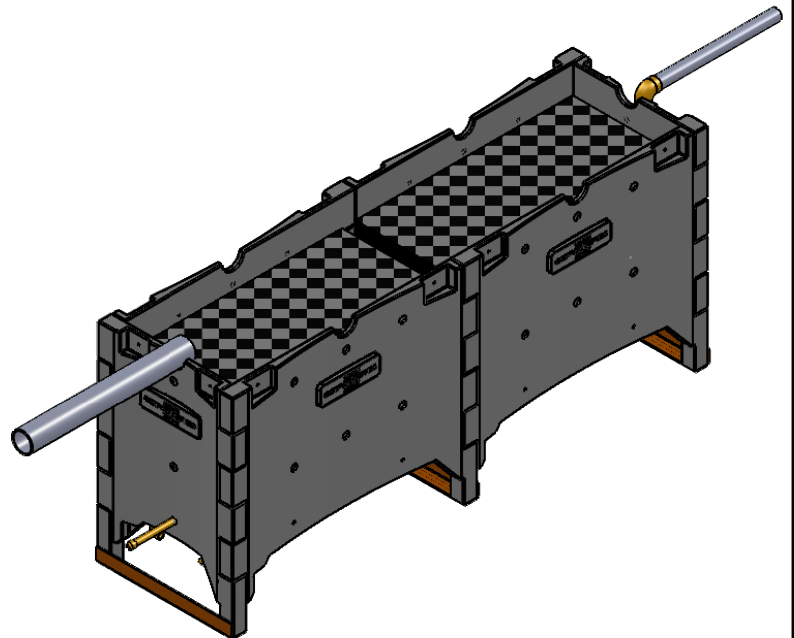
tolerance if not specified: X.XX±0.01  
X.XXX±0.003



DETAIL A  
SCALE 1 : 10



**Note:** Legs Must be shortened by 6.5"



SHEET 1 OF 1

Revision notes

SolidWorks Drawing Created. Adam Miller, 8.3.2018

### Infiltrator Water Technologies

4 Business Park Road Old Saybrook, CT 06475 U.S.A. Tel. (203) 931-1783

PROPRIETARY AND CONFIDENTIAL: The information contained in this drawing is the sole property of Infiltrator Water Technologies. Any reproduction in part or as a whole without written permission is prohibited.

Tooling approval

Date:

By:

Signature: