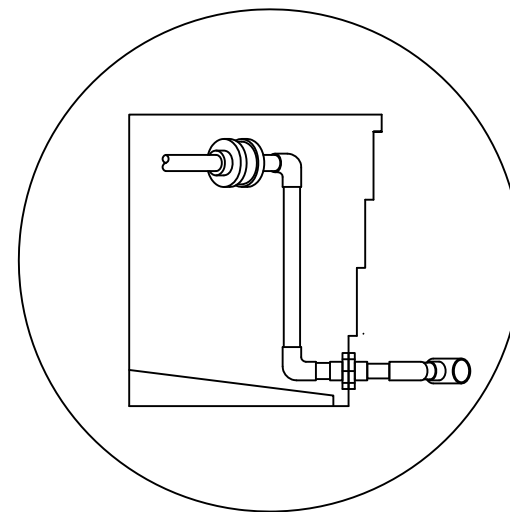
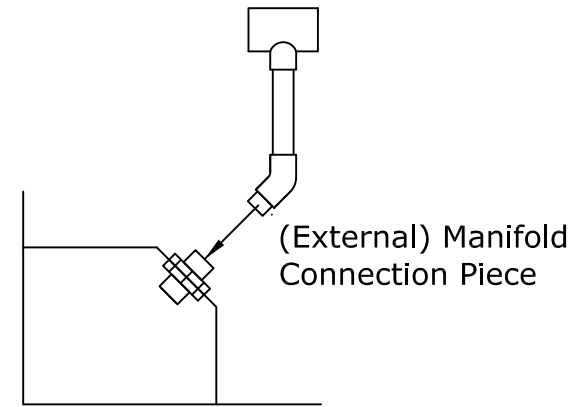


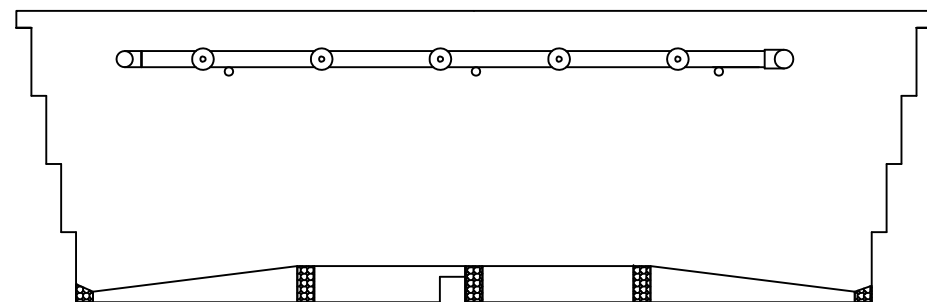
**PLAN VIEW**



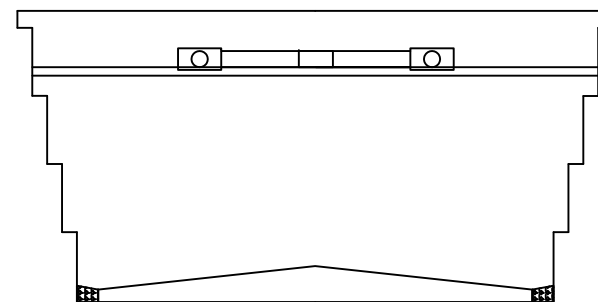
**SECTION VIEW A**



**CONNECTION DETAIL**



**ELEVATION VIEW**



**END VIEW**

Notes:  
1) ALL PIPING AND FITTINGS MUST BE A MINIMUM SCHEDULE 40 REATED

Legend:

A	FIRST RELEASE	6/1/12
Rev.	DESCRIPTION	DATE



4106 Bernau Avenue - Greensboro, NC 27407  
Phone 336-547-9338 Fax 336-547-8559  
www.bnm-us.com

© Copyright Bord na Móna Environmental Products U.S. Inc.  
"Copyright and ownership of this drawing is vested in Bord na Móna Environmental Products U.S. Inc., whose prior written consent is required for its use, reproduction or for publication to any third party. All rights reserved by the law of copyright and by international copyright conventions are reserved to Bord na Móna Environmental Products U.S. Inc. and may be protected by court proceedings for damages and/or injunctions and costs."

Project PURAFLO PEAT FIBER BIOFILTER

Client CLIENT

Drawing Title  
MODULE GRID DETAIL

Date	Scale (A3)	Drawn by	Checked by	Approved by
6/1/12	N/S	AJW	PJ	PJ

Status	FOR APPROVAL <input type="checkbox"/>	Dwg. No.
PLANNING <input checked="" type="checkbox"/>	FOR CONSTRUCTION <input type="checkbox"/>	PURAFLO-02
TENDER <input type="checkbox"/>	AS BUILT <input type="checkbox"/>	