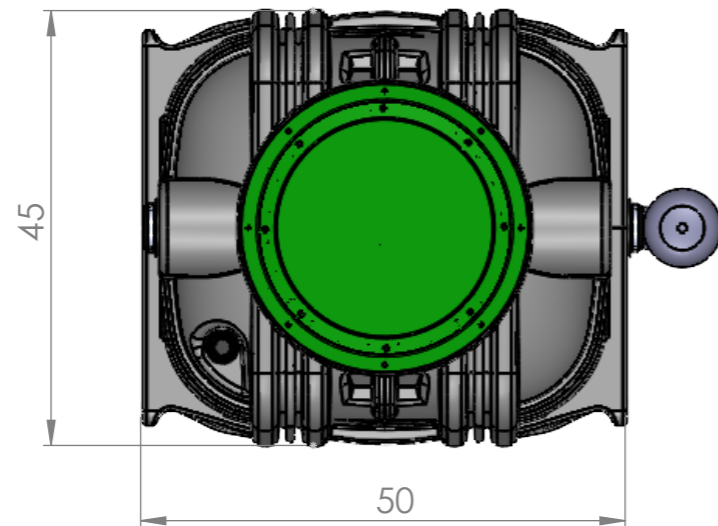
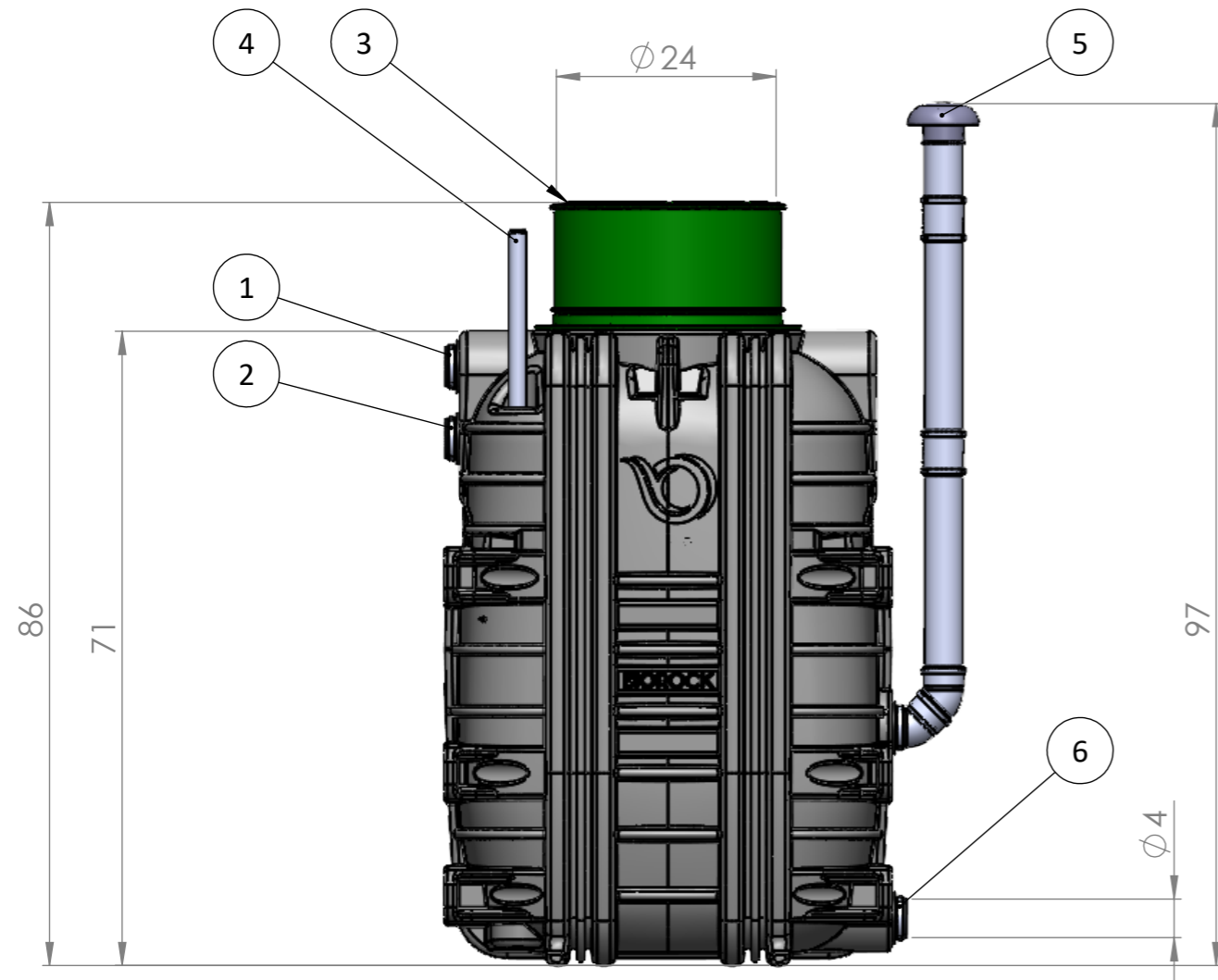



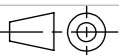
# ECOROCK 450

## Treatment Unit 400 gallons



1	AIR OUTLET
2	WATER INLET
3	LIDS
4	ALARM
5	AIR INLET
6	WATER OUTLET

CARACTERISTICS	VALUE	UNIT
Capacity (daily volume per day)	450	Gallons/day
SECONDARY TREATMENT		
Volume	400	Gallons
Media volume	368	Gallons
SPECIFICATION	VALUE	UNIT
Overall length	50	Inches
Treatment area	1270	Sq inches
Overall width	45	Inches
Overall height	86	Inches
Overall height + air inlet	97	Inches
Total weight	580	lb
Pipe diameter	4"	Inches
Lid diameter	24"	Inches

			<u>Création</u>	 <b>FT-00092 ECOROCK 450</b> <b>Treatment Unit 400 gallons</b>
			NOM: TC	
			DATE: 02/12/2021	
			<u>Vérification</u>	
			NOM: TC	
			DATE: 02/12/2021	
REVISION	DESCRIPTION	NOM	Rev: 0	Echelle: 1:20
		DATE		Page: 1/1
				Sheet: 1/1
				 A3