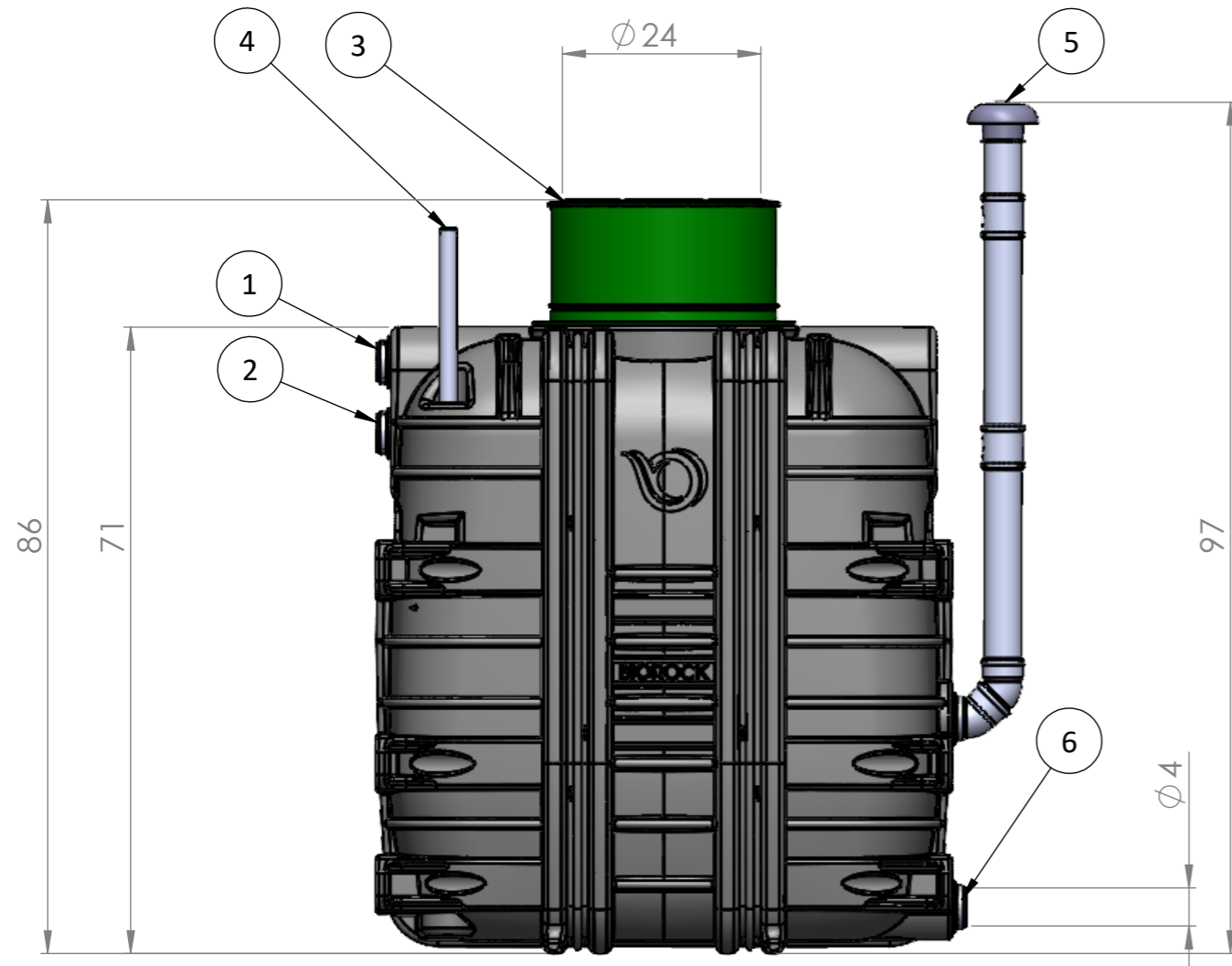


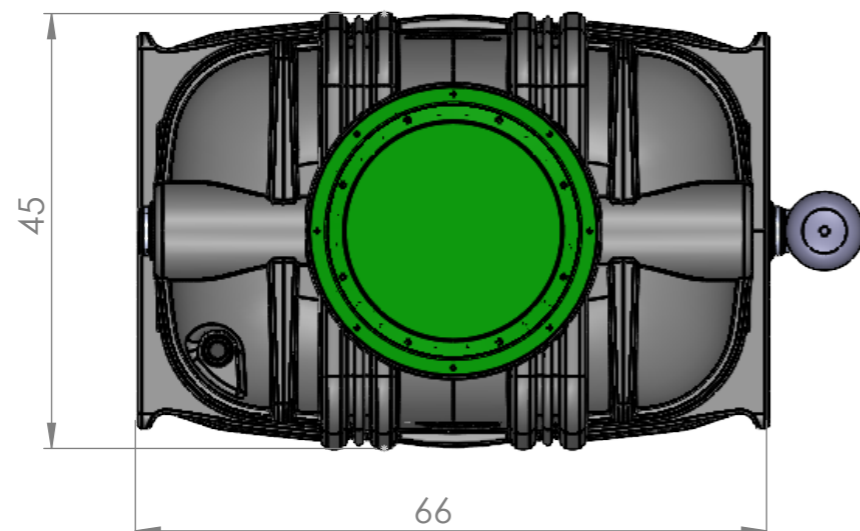
ECOROCK 600

Treatment Unit 530 gallons



1	AIR OUTLET
2	WATER INLET
3	LIDS
4	ALARM
5	AIR INLET
6	WATER OUTLET

CARACTERISTICS	VALUE	UNIT
Capacity (daily volume per day)	600	Gallons/day
SECONDARY TREATMENT		
Volume	530	Gallons
Media volume	491	Gallons
SPECIFICATION	VALUE	UNIT
Overall length	66	Inches
Treatment area	1830	Sq inches
Overall width	45	Inches
Overall height	86	Inches
Overall height + air inlet	97	Inches
Total weight	700	lb
Pipe diameter	4"	Inches
Lid diameter	24"	Inches



		<u>Création</u>		BIO ROCK	TITRE: FT-00093 ECOROCK 600 Treatment Unit 530 gallons
		NOM: TC			
		<u>DATE:</u> 02/12/2021			
		<u>Vérification</u>			
		NOM: TC			
		<u>DATE:</u> 02/12/2021			
REVISION	DESCRIPTION	NOM	Rev: 0	Echelle: 1:20	Page: 1/1
		DATE		Scale:	

