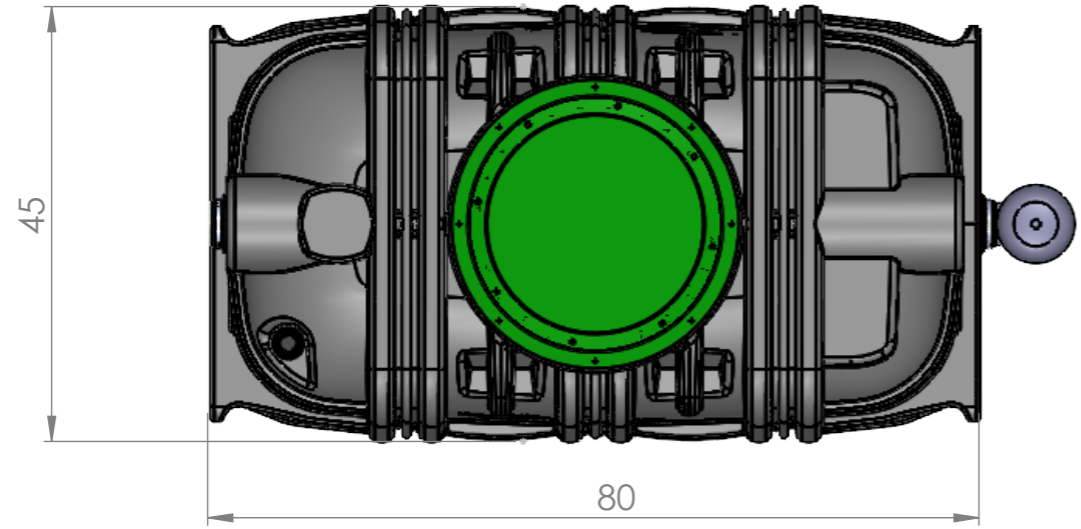
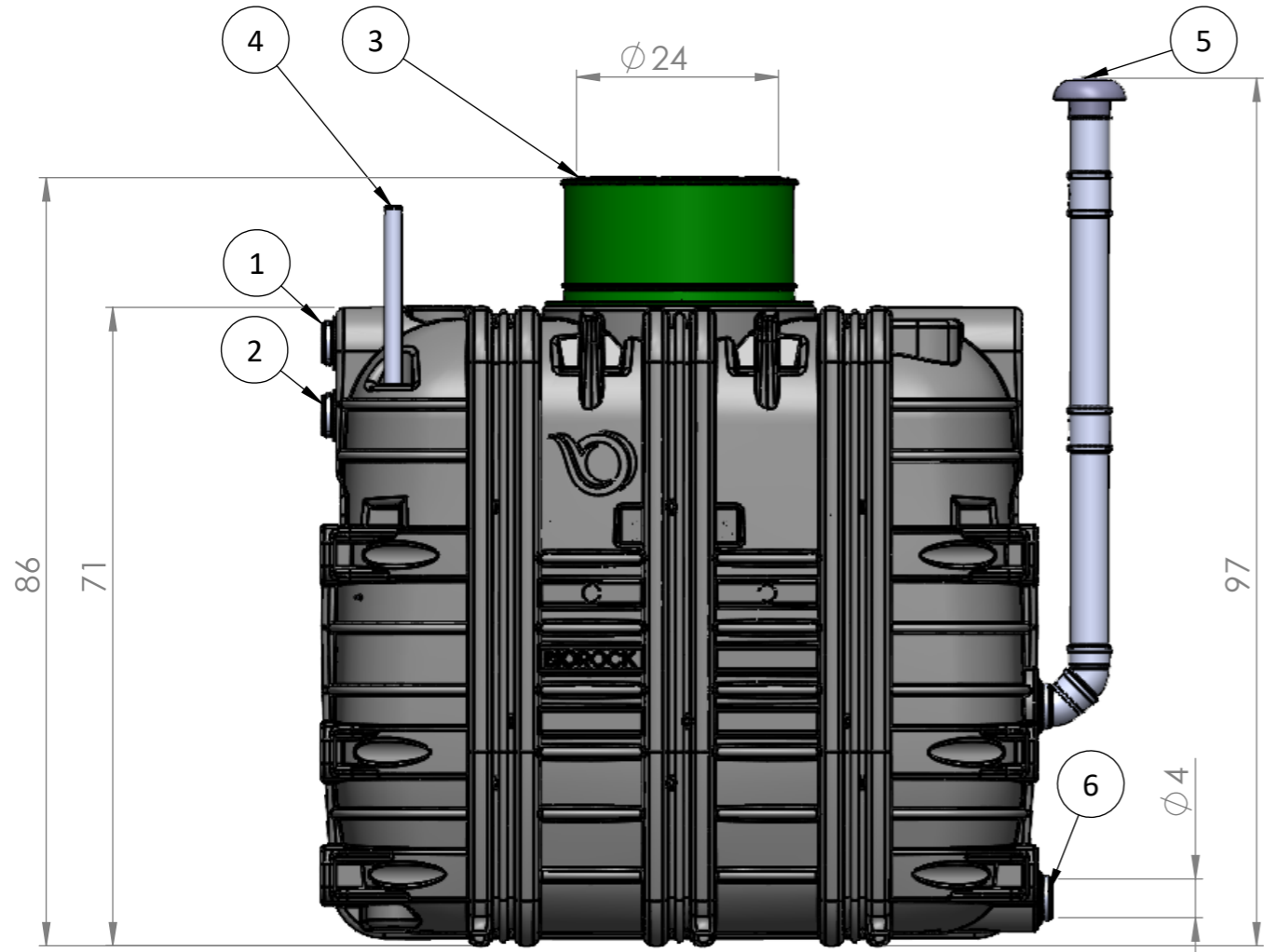


# ECOROCK 750

## Treatment Unit 660 gallons



1	AIR OUTLET
2	WATER INLET
3	LIDS
4	ALARM
5	AIR INLET
6	WATER OUTLET

CARACTERISTICS	VALUE	UNIT
Capacity (daily volume per day)	750	Gallons/day
SECONDARY TREATMENT		
Volume	660	Gallons
Media volume	614	Gallons
SPECIFICATION	VALUE	UNIT
Overall length	80	Inches
Treatment area	2390	Sq inches
Overall width	45	Inches
Overall height	86	Inches
Overall height + air inlet	97	Inches
Total weight	810	lb
Pipe diameter	4"	Inches
Lid diameter	24"	Inches

<u>Création</u>	
NOM:	TC
DATE:	02/12/2021
<u>Vérification</u>	
NOM:	TC
DATE:	02/12/2021



TITRE: FT-00094 ECOROCK 750  
Treatment Unit 660 gallons

REVISION	DESCRIPTION

