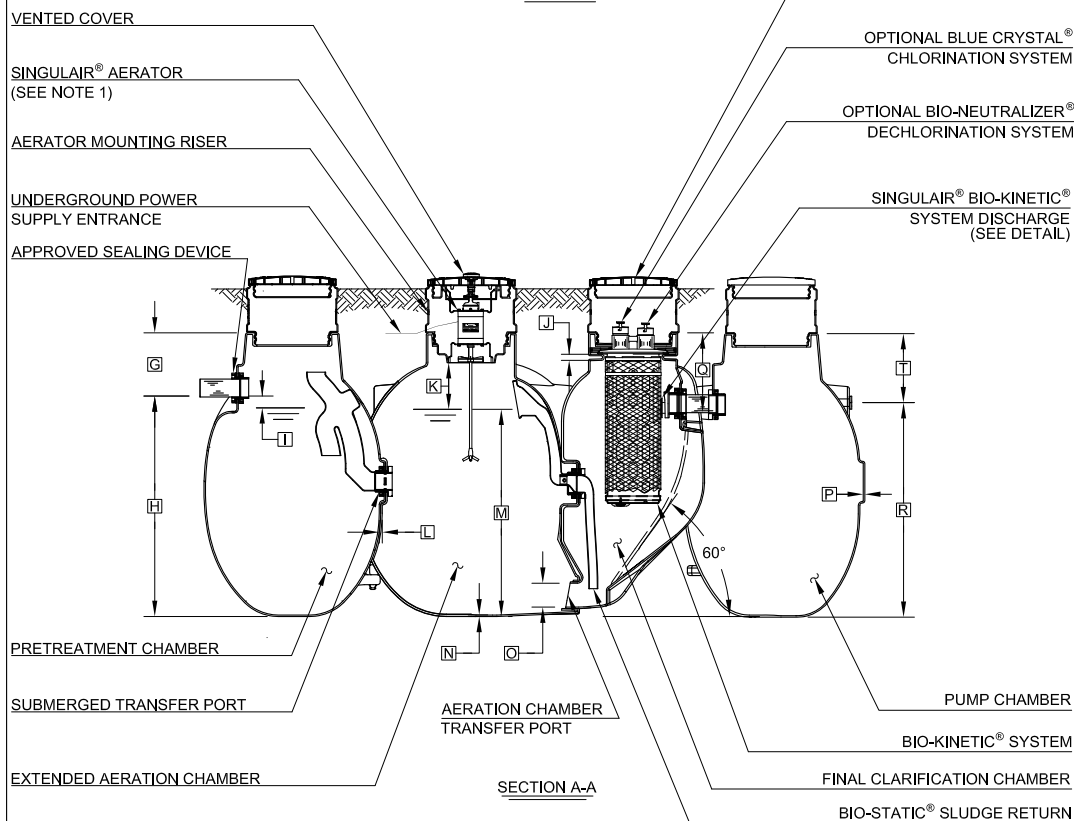
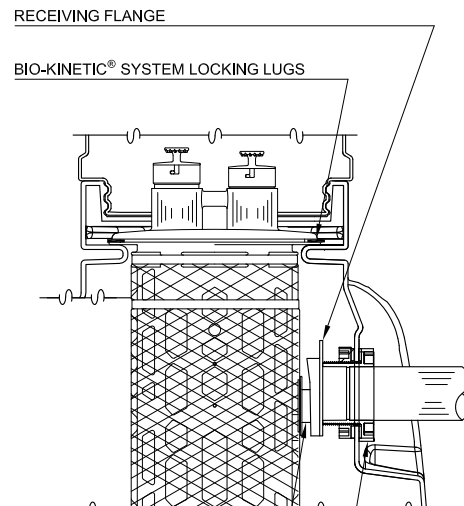


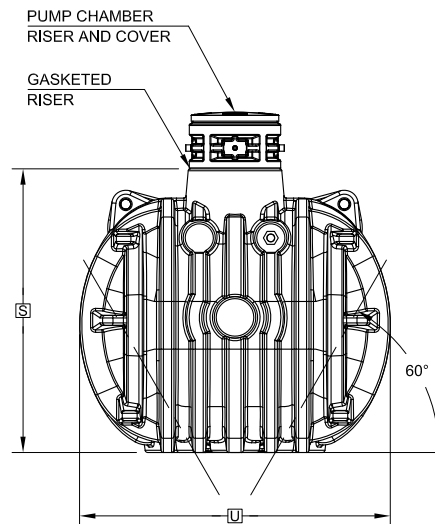
PLAN VIEW



SECTION A-A



BIO-KINETIC® SYSTEM DISCHARGE DETAIL



OUTLET END VIEW

NOTE: TOTAL SYSTEM CAPACITY: 1,750 GALLONS  
 RATED CAPACITY: 600 GALLONS PER DAY

GENERAL NOTES:

- ① SINGLAIR® AERATOR, AS TESTED AND ACCEPTED BY NSF.
- ② FALL THROUGH SINGLAIR® PLANT FROM INLET INVERT TO OUTLET INVERT IS FOUR INCHES. INLET INVERT IS 16 INCHES BELOW THE RISER MOUNTING SURFACE.
- ③ ON DEEPER INSTALLATIONS, RISERS MUST BE USED TO EXTEND AERATOR MOUNTING RISER AND BIO-KINETIC® SYSTEM MOUNTING RISER TO GRADE. INSPECTION COVER ON PRETREATMENT CHAMBER MUST BE DEVELOPED TO WITHIN TWELVE INCHES OF GRADE.
- ④ REMOVABLE COVERS ON RISERS ARE EACH SECURED TO PREVENT UNAUTHORIZED ACCESS.
- ⑤ CONTACT THE LOCAL, LICENSED SINGLAIR® DISTRIBUTOR FOR ELECTRICAL REQUIREMENTS.

PROJECT ENGINEER'S APPROVAL:  
 I (WE) HEREBY CERTIFY THAT THIS DRAWING HAS BEEN CHECKED AND IS APPROVED FOR USE IN CONFORMITY WITH THE CONTRACT DOCUMENTS.

DATE: \_\_\_\_\_

NAME: \_\_\_\_\_

CONTRACTOR'S CERTIFICATION:  
 I (WE) HEREBY CERTIFY THAT THIS DRAWING HAS BEEN CHECKED AND IS APPROVED FOR USE IN CONFORMITY WITH THE CONTRACT DOCUMENTS.

DATE: \_\_\_\_\_

NAME: \_\_\_\_\_

CRITICAL DIMENSIONS

A	3'- 3"	N	0'- 0 3/8"
B	3'- 5 1/4"	O	0'- 6"
C	4'- 2 1/4"	P	0'- 0 3/8"
D	2'- 8 3/4"	Q	1'- 8"
E	3'- 4 3/4"	R	4'- 6"
F	14'- 0"	S	5'- 11 1/2"
G	1'- 4"	T	1'- 5 1/2"
H	4'- 7 1/2"	U	6'- 6"
I	0'- 3"	V	
J	0'- 1 1/2"	W	
K	1'- 0"	X	
L	0'- 0 3/4"	Y	
M	4'- 4"	Z	

U.S. AND FOREIGN PATENTS PENDING	<b>norweco</b>	REVISION DATE	N/A	NO. REVISION	N/A
	SINGLAIR® GREEN WITH PUMP TANK 500GPD SYSTEM	APPROVED BY	CAR		
DATE		08-08-2022			
SCALE		NTS			
© MMXXII	<small>THIS DRAWING IS THE PROPERTY OF NORWECO WATER TREATMENT EQUIPMENT COMPANY, AND SHALL NOT BE COPIED OR REPRODUCED IN WHOLE OR IN PART OR IN ANY MANNER WITHOUT THE WRITTEN PERMISSION OF NORWECO.</small>		DATE PLOTTED	08-08-2022	
					PC-5-7202