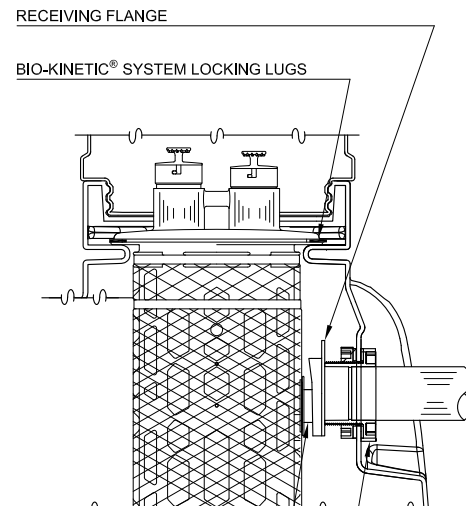
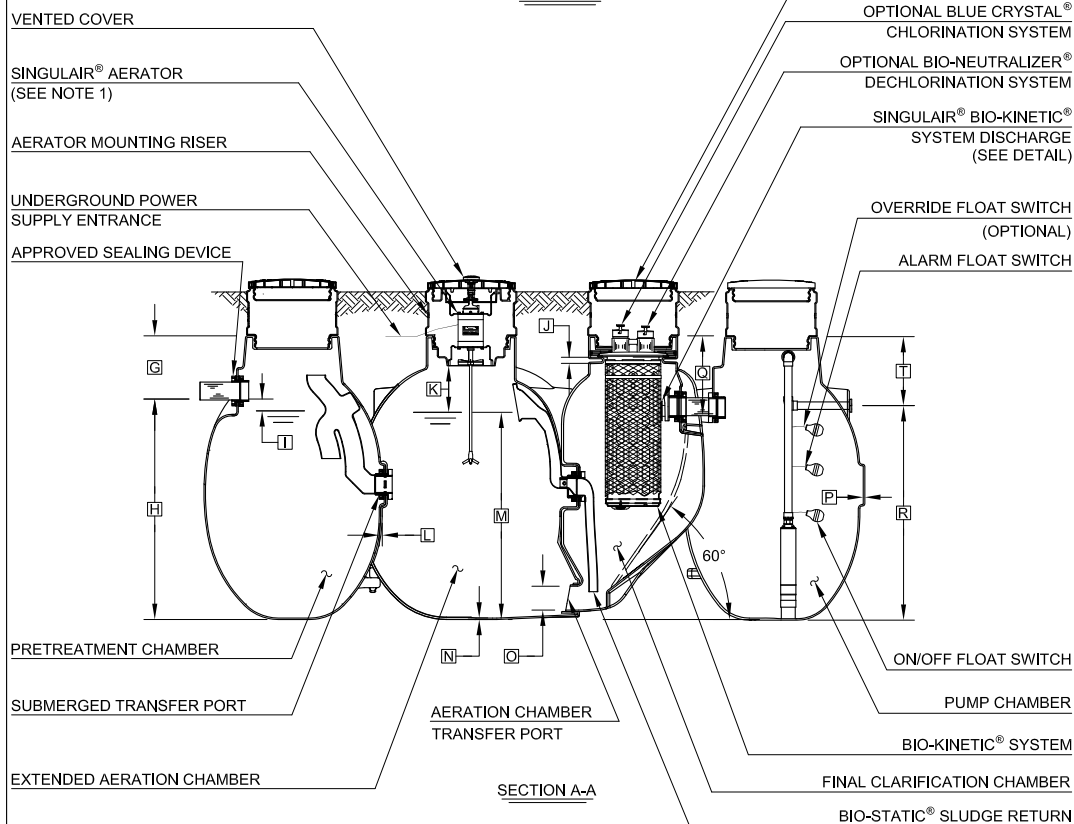
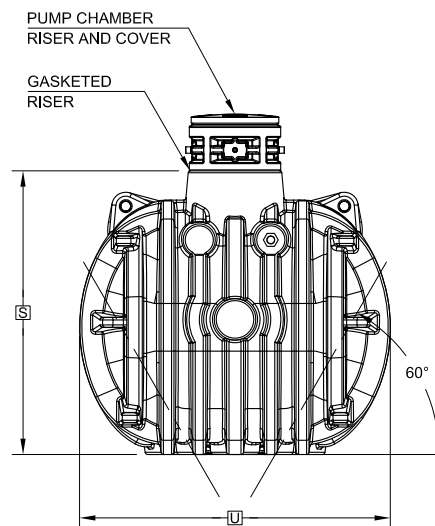


PLAN VIEW



BIO-KINETIC® SYSTEM DISCHARGE DETAIL



OUTLET END VIEW

NOTE: TOTAL SYSTEM CAPACITY: 1,750 GALLONS
RATED CAPACITY: 600 GALLONS PER DAY

GENERAL NOTES:

- ① SINGULAIR® AERATOR, AS TESTED AND ACCEPTED BY NSF.
- ② FALL THROUGH SINGULAIR® PLANT FROM INLET INVERT TO OUTLET INVERT IS FOUR INCHES. INLET INVERT IS 16 INCHES BELOW THE RISER MOUNTING SURFACE.
- ③ ON DEEPER INSTALLATIONS, RISERS MUST BE USED TO EXTEND AERATOR MOUNTING RISER AND BIO-KINETIC® SYSTEM MOUNTING RISER TO GRADE. INSPECTION COVER ON PRETREATMENT CHAMBER MUST BE DEVELOPED TO WITHIN TWELVE INCHES OF GRADE.
- ④ REMOVABLE COVERS ON RISERS ARE EACH SECURED TO PREVENT UNAUTHORIZED ACCESS.
- ⑤ CONTACT THE LOCAL, LICENSED SINGULAIR® DISTRIBUTOR FOR ELECTRICAL REQUIREMENTS.

PROJECT ENGINEER'S APPROVAL:
I (WE) HEREBY CERTIFY THAT THIS DRAWING HAS BEEN CHECKED AND IS APPROVED FOR USE IN CONFORMITY WITH THE CONTRACT DOCUMENTS.

DATE: _____

NAME: _____

CONTRACTOR'S CERTIFICATION:
I (WE) HEREBY CERTIFY THAT THIS DRAWING HAS BEEN CHECKED AND IS APPROVED FOR USE IN CONFORMITY WITH THE CONTRACT DOCUMENTS.

DATE: _____

NAME: _____

CRITICAL DIMENSIONS

A	3'- 3"	N	0'- 0 3/8"
B	3'- 5 1/4"	O	0'- 6"
C	4'- 2 1/4"	P	0'- 0 3/8"
D	2'- 8 3/4"	Q	1'- 8"
E	3'- 4 3/4"	R	4'- 6"
F	14'- 0"	S	5'- 11 1/2"
G	1'- 4"	T	1'- 5 1/2"
H	4'- 7 1/2"	U	6'- 6"
I	0'- 3"	V	
J	0'- 1 1/2"	W	
K	1'- 0"	X	
L	0'- 0 3/4"	Y	
M	4'- 4"	Z	

U.S. AND FOREIGN PATENTS PENDING		REVISION DATE	N/A	NO. REV.	N/A
		APPROVED BY	JMM	DATE	08-08-2022
© MMXXII	<p>SINGULAIR® GREEN WITH PUMP TANK, PUMP, AND FLOAT SWITCHES 500GPD SYSTEM</p>		<p>DATE</p>	<p>NO. REV.</p>	<p>NO. REV.</p>